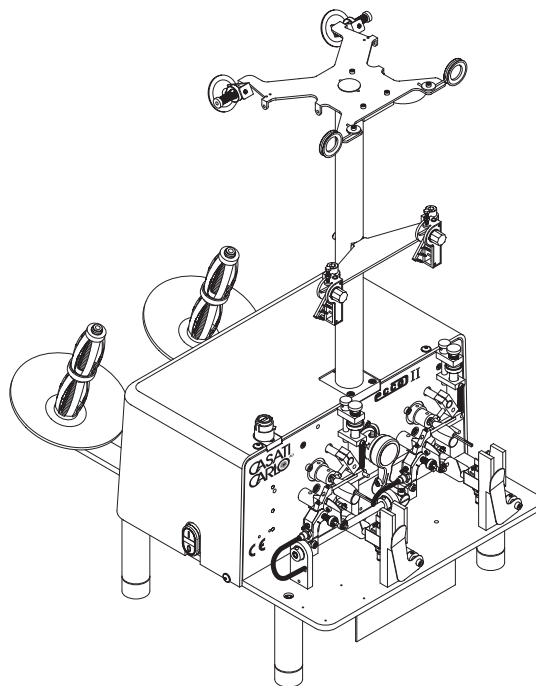


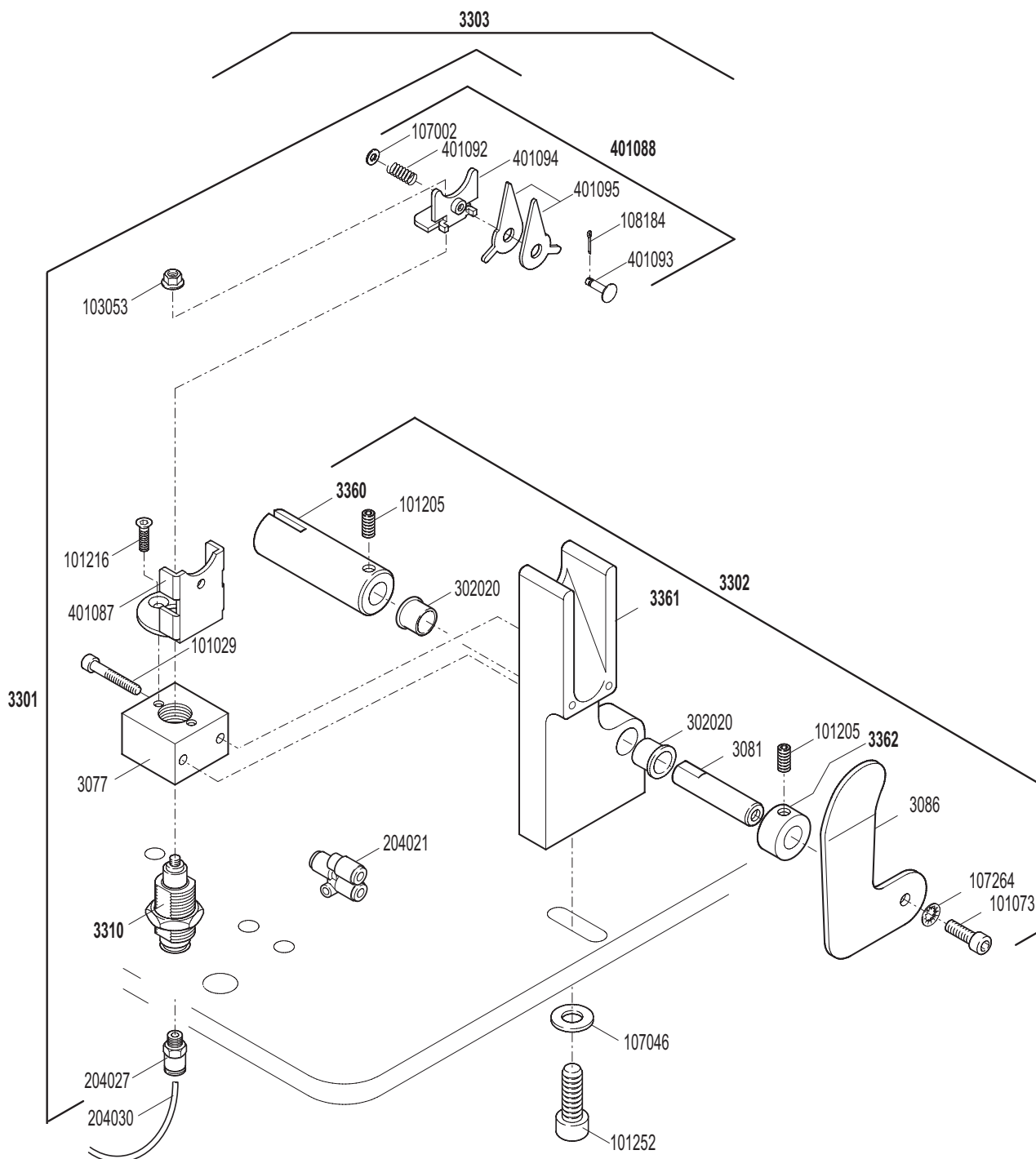
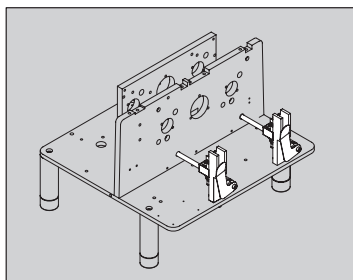


Contents

- 1. Scissor assembly **2-3**
- 2. Thread guide and eccentric drive **2-5**
- 3. Tucker plate assembly **2-7**
- 4. Bobbin table with setting elements **2-9**
- 5. Secondary shaft with ejection elements **2-11**
- 6. Main drive **2-13**
- 7. Spindle shaft **2-15**
- 8. Housing and covers **2-17**
- 9. Control system **2-19**
- 10. Pneumatic system and electrical connections **2-19**
- 11. Bobbin holders and thread tree unit **2-21**



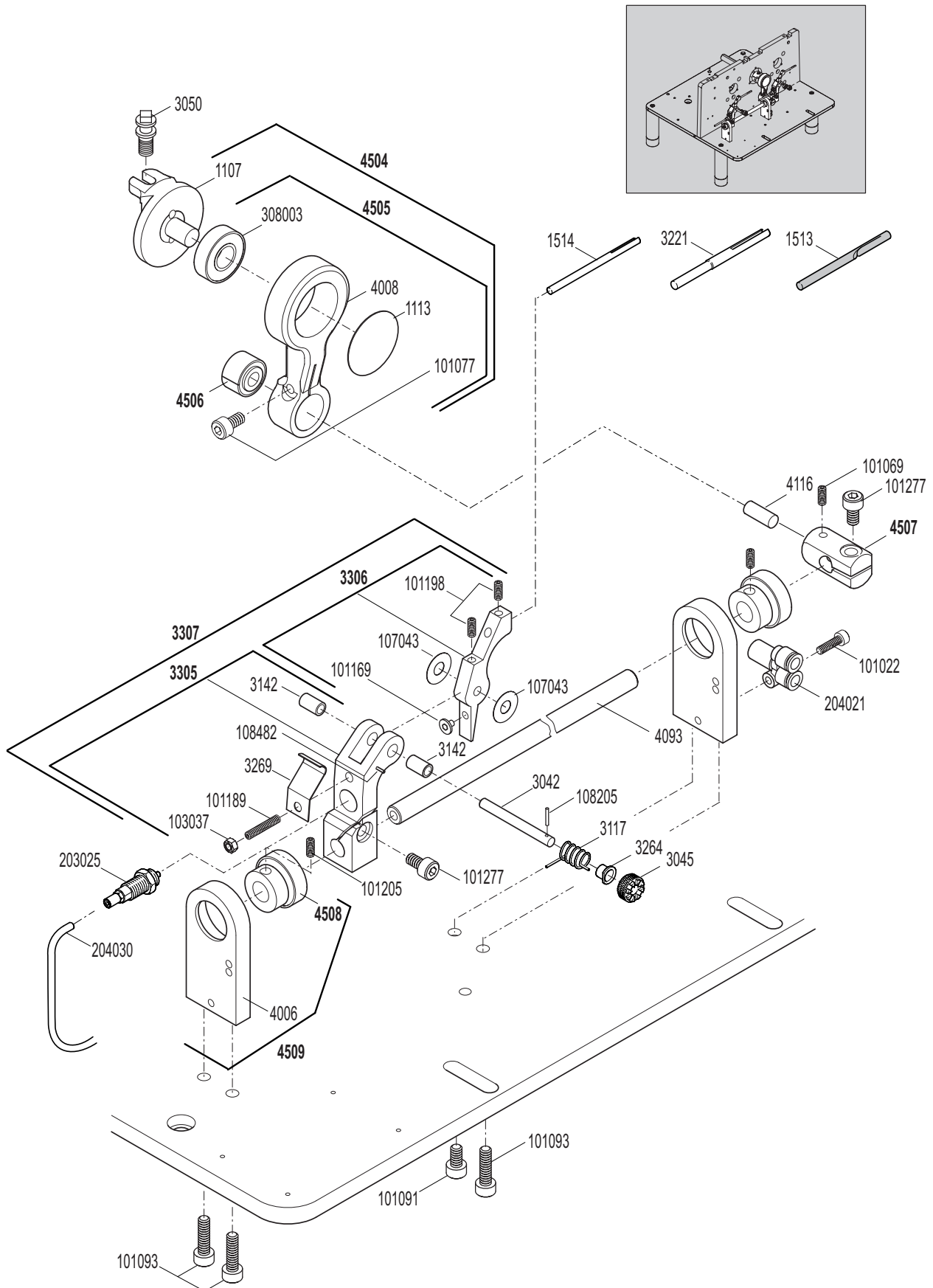
Item numbers printed in bold indicate subassemblies with multiple components.





1. Scissor assembly

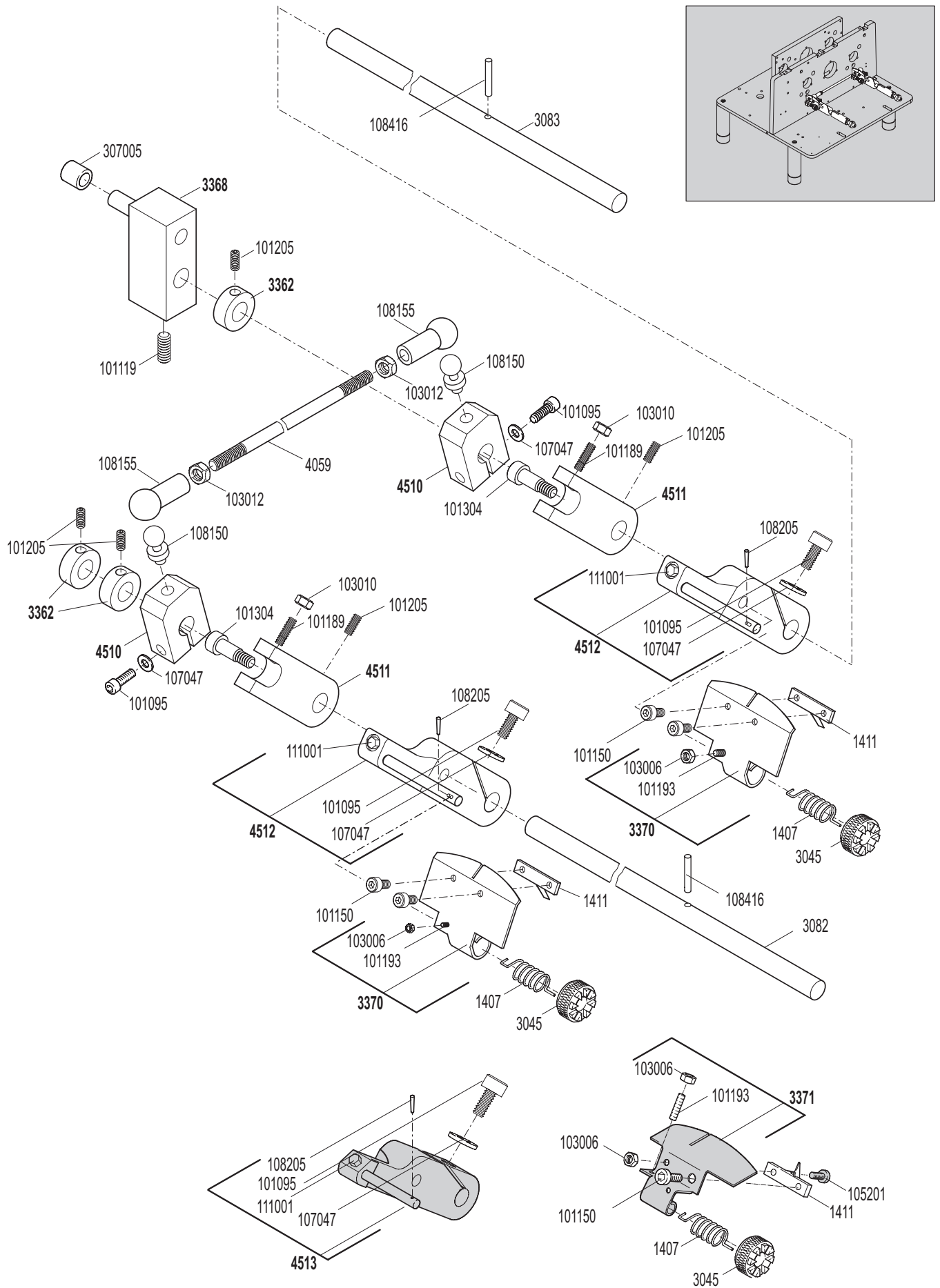
Item No.	Designation	Including	Pcs	
401088	Knife head complete	1x401092/1x401093/1x401094/2x401095/1x107002/1x108184	2	
3301	Scissor assembly complete	1x401088/1x3310/1x3077/2x101216/1x103053/1x204027/1x401087	2	
3302	Scissor support complete	1x3360/1x3361/1x3362/1x3086/1x101073/1x107264/1x3081	2	
3303	Scissor element	1x3301/1x3302/1x101252/1x107046	2	
3310	Scissor cylinder complete		2	
3360	Sliding sleeve complete	1x101205	2	
3361	Scissor support	2x302020	2	
3362	Setting rings complete	1x101205	2	
3077	Cylinder support for scissors		2	
3081	Arbor		2	
3086	Shutter		2	
101029	Screw		4	
101073	Screw		2	
101205	Thread plug		4	
101216	Screw		4	
101252	Screw		2	
103053	Lock nut		2	
107002	Washer		2	
107046	Washer		2	
107264	Serrated lock washer		2	
108184	Split pin		2	
204021	Distributor		1	
204027	Straight connector		2	
204030	PU-tubing \varnothing 4mm	Specify length		
302020	Slide bearing		4	
401087	Guide angle plate		2	
401092	Spring		2	
401093	Bolt		2	
401094	Knife support		2	
401095	Knife		4	





2. Thread guide and eccentric drive

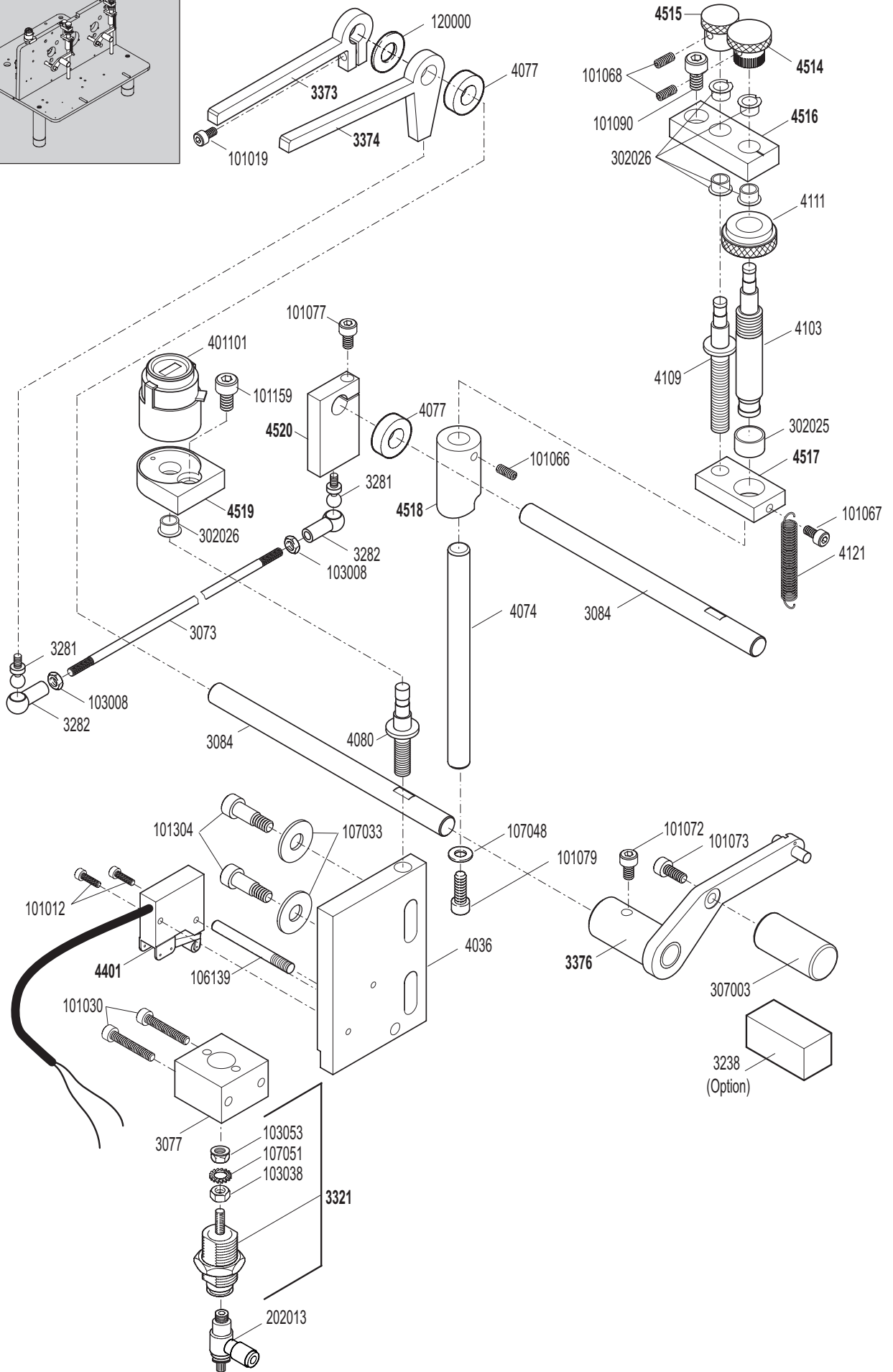
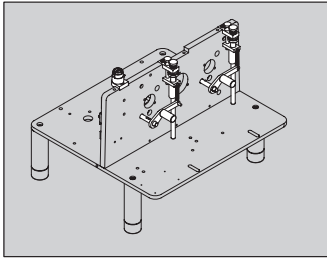
Item. No.	Designation	Including	Pcs
3305	Thread guide articulated lever	2x3142/1x3269/1x101189/1x103037/1x101277/1x108482	2
3306	Thread guide complete	2x101198/1x101169	2
3307	Thread guide lever set (pair)	1x3305/1x3306/1x3042/1x108205/2x107043/1x3117/1x3264/1x3045	2
4504	Eccentric drive connecting rod set	1x4505/1x1107	1
4505	Connecting rod complete	1x4008/1x1113/1x308003/1x101077/1x4506	1
4506	Rocker bearing complete		1
4507	Pin lever complete	1x101277/1x101069	1
4508	Set collar f. thread guide sup compl.	1x101205 incl. ball bearing	2
4509	Thread guide support complete	1x4508/1x4006	2
1107	Eccentric drive		1
1113	Cover		1
1514	Thread guide		2
3042	Thread guide axel		2
3045	Spring setting ring		2
3050	Setting screw for eccentric drive		1
3117	Spring for thread guide lever		2
3142	Slide bearing		4
3221	Ceramic-thread guide (right side)		2
3264	Protective jack for 3117		2
3269	Leaf spring		2
4006	Thread guide support		2
4008	Connecting rod		1
4093	Tube for f thread guide drive		1
4116	Bolt		1
101022	Screw		1
101069	Thread plug		1
101077	Screw		1
101091	Screw		1
101093	Screw		3
101169	Screw		2
101189	Thread plug		2
101198	Thread plug		4
101205	Thread plug		2
101277	Screw		3
103037	Nut		2
107043	Spacer		4
108205	Taper pin		2
108482	Dowel pin		2
203025	Pneumatic cylinder		2
204021	Distributor		1
204030	PU-hose ø 4 mm	Specify length	
308003	Ball bearing		1
	Anti-clockwise		
1513	Thread guide		2





3. Tucker plate assembly

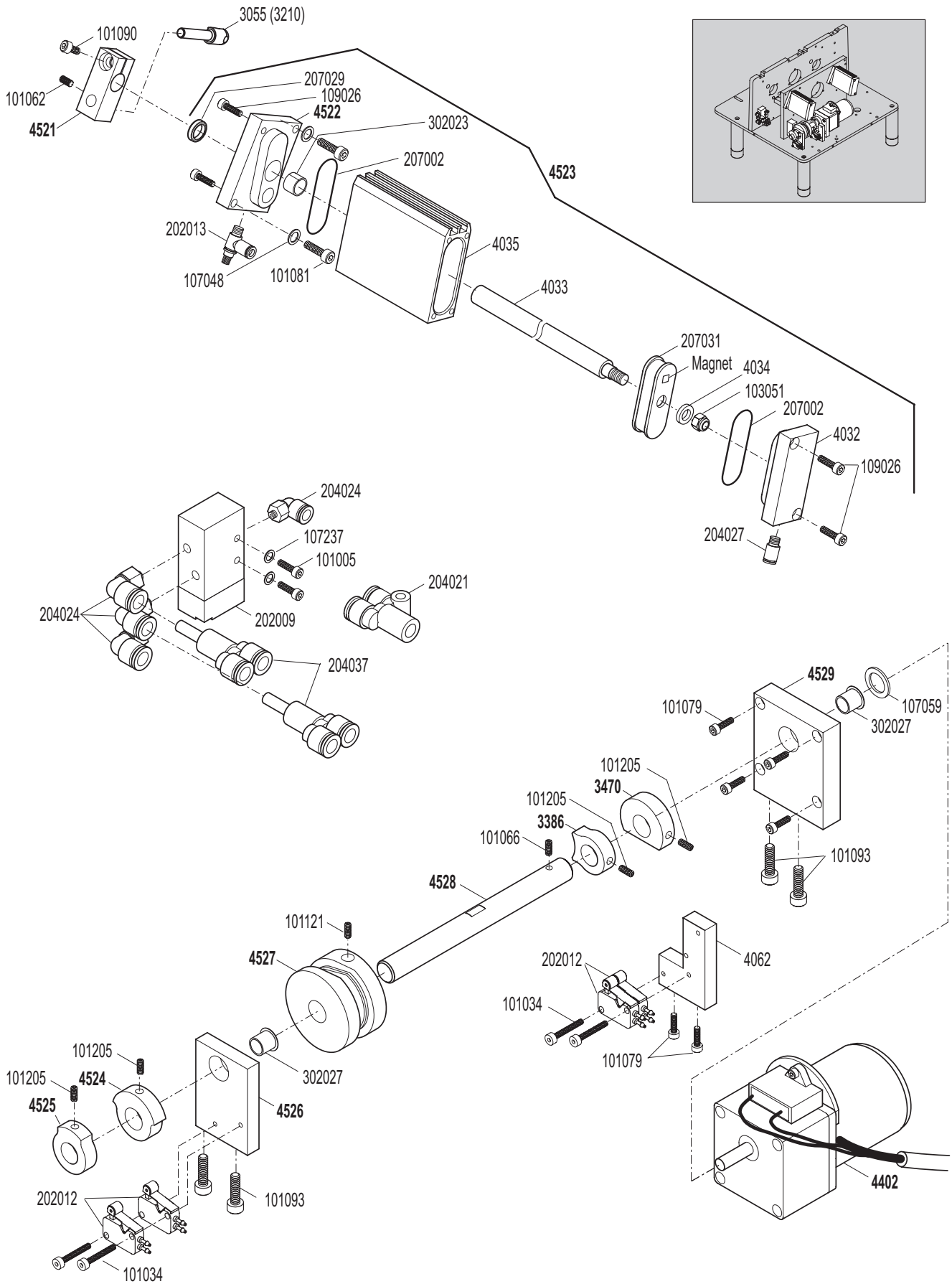
Item No.	Designation	Including	Pcs
3362	Setting ring complete	1x101205	3
3368	Roller lever complete	1x101119	1
3370	Tucker plate complete	1x101193/1x103006	2
4510	Rocker bearing lever complete	1x108150/1x101095/1x107047	2
4511	Undertucker-adjustment lever	1x103010/1x101189/1x101205	2
4512	Undertucking lever complete	1x101304/1x111001/1x101095/1x107047/1x108205	2
1407	Tucker plate spring		2
1411	Undertucker		2
3045	Spring setting ring		2
3082	Undertucker lever left		1
3083	Undertucker lever right		1
4059	Undertucker spacer		1
101095	Screw		4
101150	Screw		4
101193	Thread plug		2
101119	Thread plug		1
101189	Thread plug		2
101205	Thread plug		5
101304	Head shoulder Screw		2
103006	Nut		2
103010	Nut		2
103012	Nut		2
107047	Washer		4
108150	Ball pivot		2
108155	Ball socket		2
108205	Taper pin		2
108416	Dowel pin		2
111001	Screw		2
307005	Inner ring		1
	Anti-Clockwise		
4513	Undertucker lever complete left	1x101304/1x111001/1x101095/1x107047/1x108205	2
3371	Tucker plate complete left	1x103006/1x101193	2
105201	Screw		2





4. Bobbin table with setting elements

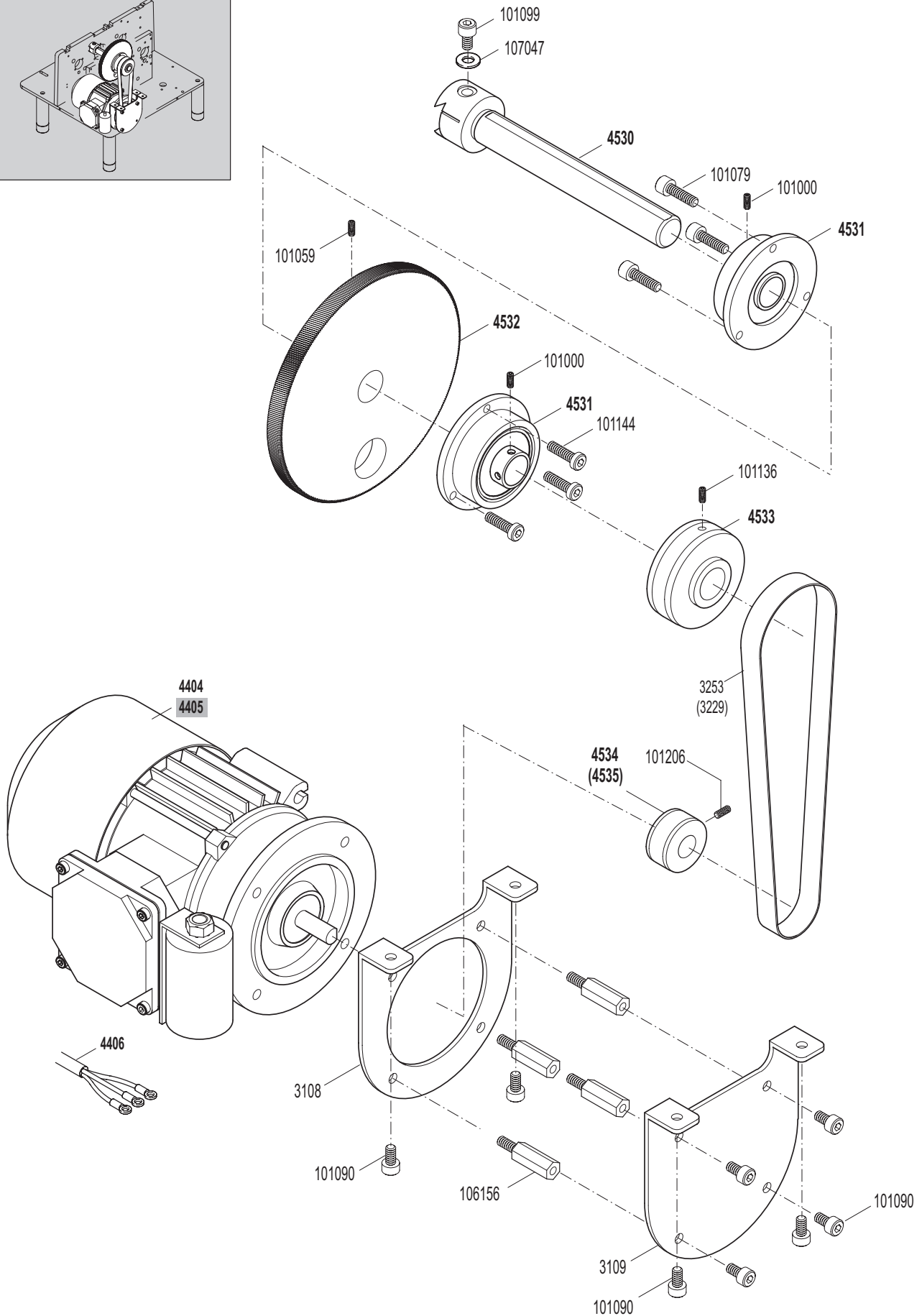
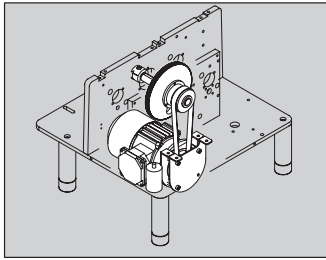
Item No.	Designation	Including	Pcs
3321	Key-vent cylinder complete	1x103038/1x103053/1x107051	1
3373	Vent lever for left key complete	1x101019	1
3374	Vent lever for right key complete	1x3281	1
3376	Key lever complete	1x101072	2
4401	Micro switch		1
4514	Setting knob complete	1x101068	2
4515	Setting knob complete	1x101068	2
4516	Support for setting knob complete	4x302026	2
4517	Support for shafts	1x302025	2
4518	Key lever adjustment complete	1x101066	2
4519	Bracket for digital gauge complete	1x302026	1
4520	Clamp for lifting lever	1x3281/1x101077	1
3073	Vent lever link		1
3077	Bracket		1
3084	Bobbin table lever shaft		2
3238	Slide rails (optional)		2
3281	Ball pivot		2
3282	Ball socket		2
4036	Cutoff plate		1
4074	Key lever guide		2
4077	Spacer		2
4080	Yoke spindle		1
4103	Key lever shaft		2
4109	Feed spindle		2
4111	Clamping nut		2
4121	Draw spring		2
101012	Screw		2
101019	Screw		1
101030	Screw		2
101066	Thread plug		2
101067	Screw		2
101068	Thread plug		4
101072	Screw		2
101073	Screw		2
101077	Screw		1
101079	Screw		2
101090	Screw		2
101159	Screw		1
101304	Head shoulder screw		2
103008	Nut		2
103038	Nut		1
103053	Counternut		1
106139	Stop screw for shut-off lever		1
107033	Washer		2
107048	Washer		2
107051	Serrated lock washer		1
120000	Washer		1
202013	Control valve		1
302025	Slide bearing		2
302026	Slide bearing		9
307003	Roller key		2
401101	Digital display unit		1

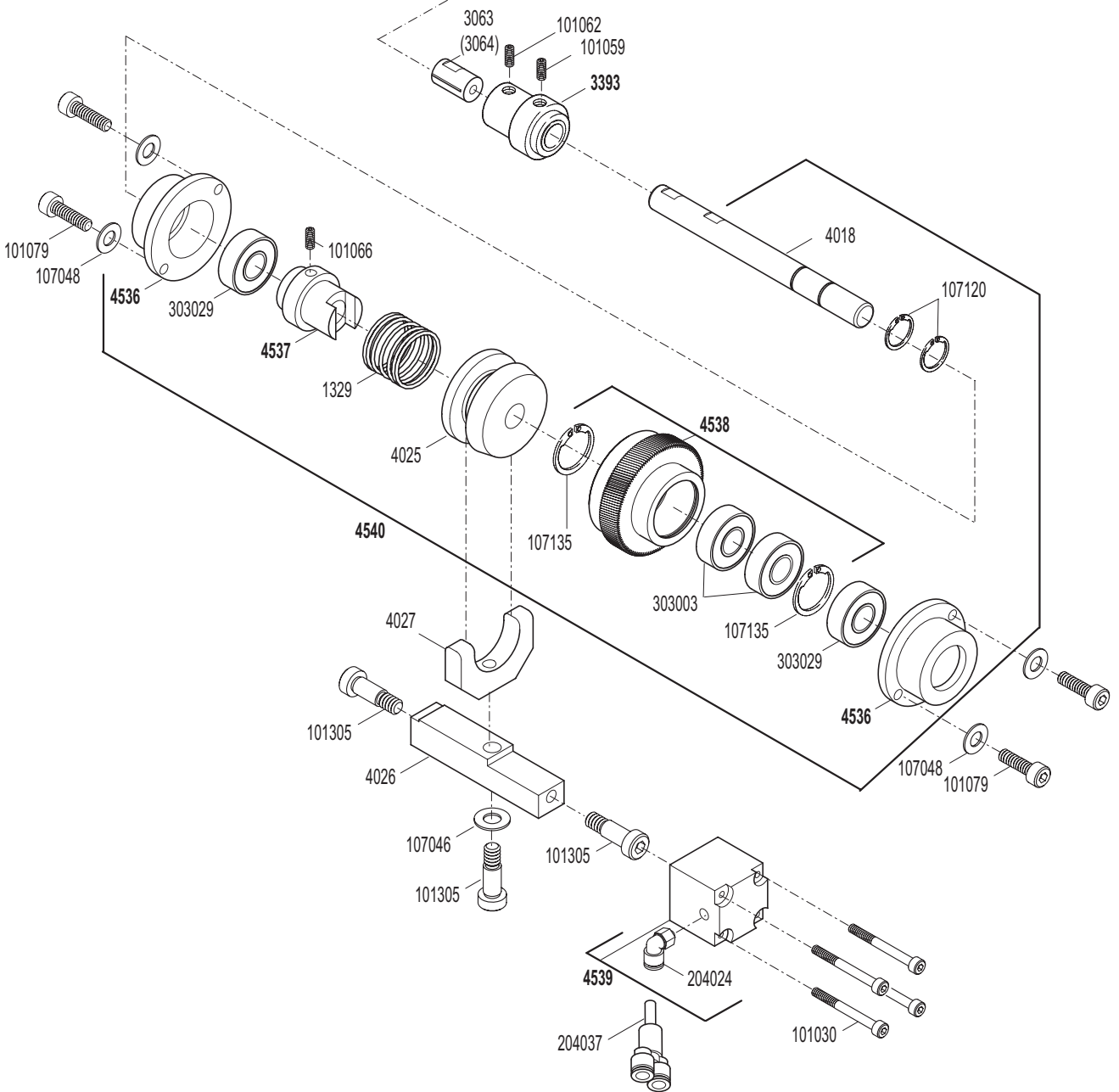
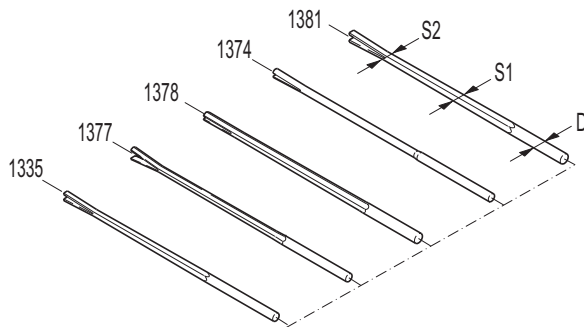
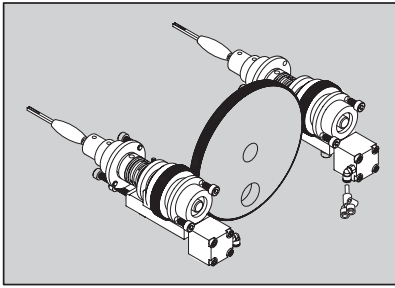




5. Secondary shaft with ejection elements

Item No.	Designation	Including	Pcs
3386	Regulator cam for scissors complete	1x101205	1
3470	Regulator cam f. second. shaft compl.	1x101205	1
4402	Secondary shaft-motor complete		1
4521	Ejector head complete	1x101062/1x101090	2
4522	Cylinder head complete	1x302023/1x207029	2
4523	Ejection cylinder complete	1x4522/2x207002/1x4035/1x4033/1x207031/1x4034/1x103051/ 1x4032/1x204027/4x109026/1x202013	2
4524	Coupling cam	1x101205	1
4525	Ejection cam	1x101205	1
4526	Secondary shaft flange complete	1x302027	1
4527	Regulation cam complete	1x101121	1
4528	Sendondary shaft complete	1x101066	1
4529	Motor flange complete	1x302027	1
3055	Ejector bolts \varnothing 4		2
3210	Ejector bolts \varnothing 3.5		2
4032	Cylinder cover \varnothing 32		2
4033	Cylinder shaft \varnothing 32		2
4034	Cylinder spacer		2
4035	Cylinder tubing \varnothing 32		2
4062	Initiator-valve bracket		1
101005	Screw		2
101034	Screw		4
101062	Thread plug		2
101066	Thread plug		1
101079	Screw		6
101081	Screw		4
101090	Screw		2
101093	Screw		4
101121	Thread plug		1
101205	Thread plug		4
103051	Nut		2
107048	Washer		4
107059	Washer		1
107237	Washer		2
109026	Screw		8
202009	5/2 valve		1
202012	Roller lever valve		4
202013	Control valve		2
302023	Slide bearing		2
302027	Slide bearing		2
204021	Jumper		1
204024	Elbow union		4
204027	Straight connection		2
204037	Plug connection		2
207002	O-ring		4
207029	Rod gasket		2
207031	Piston gasket		2

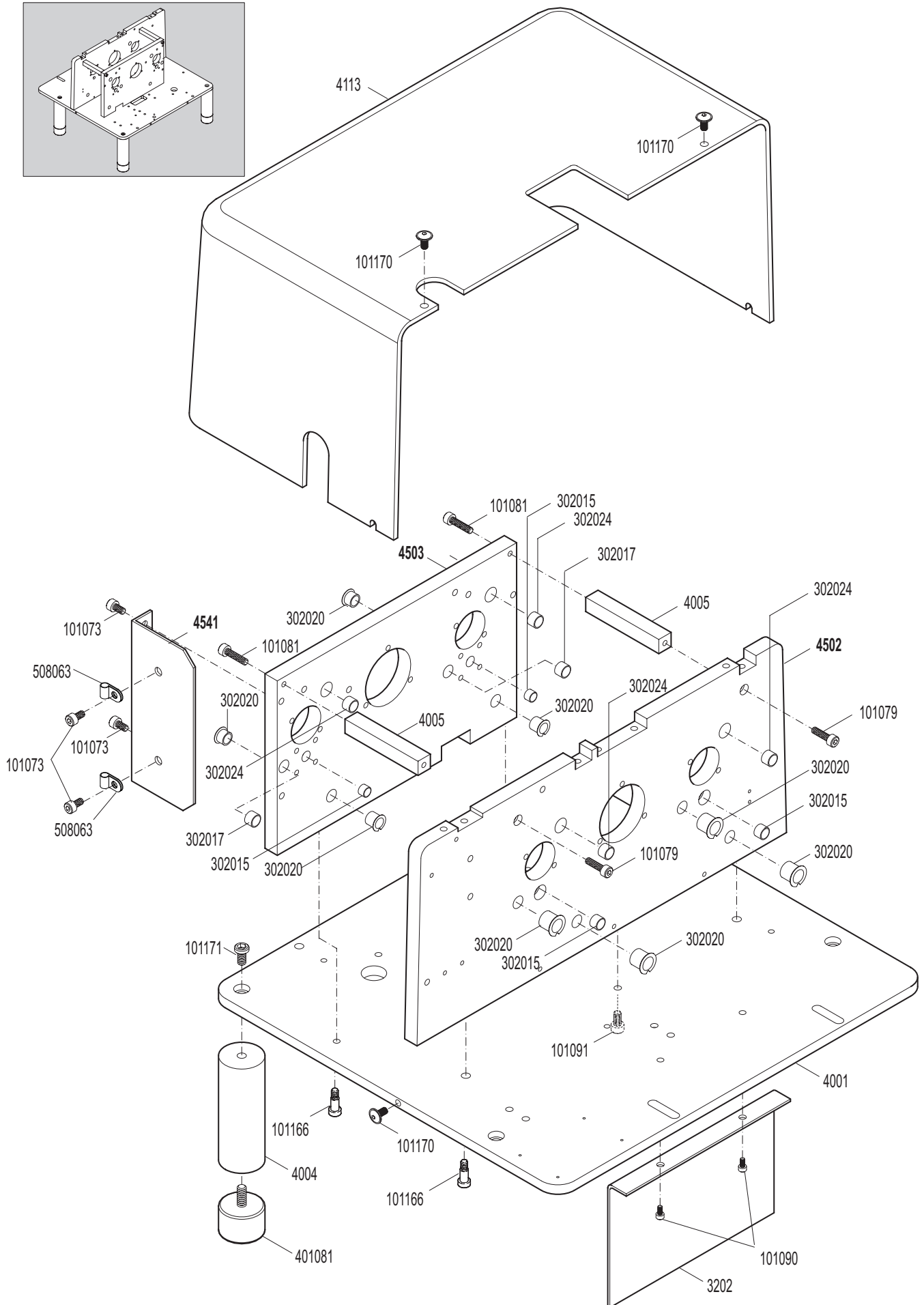
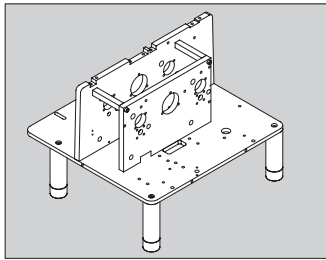






7. Spindle shaft

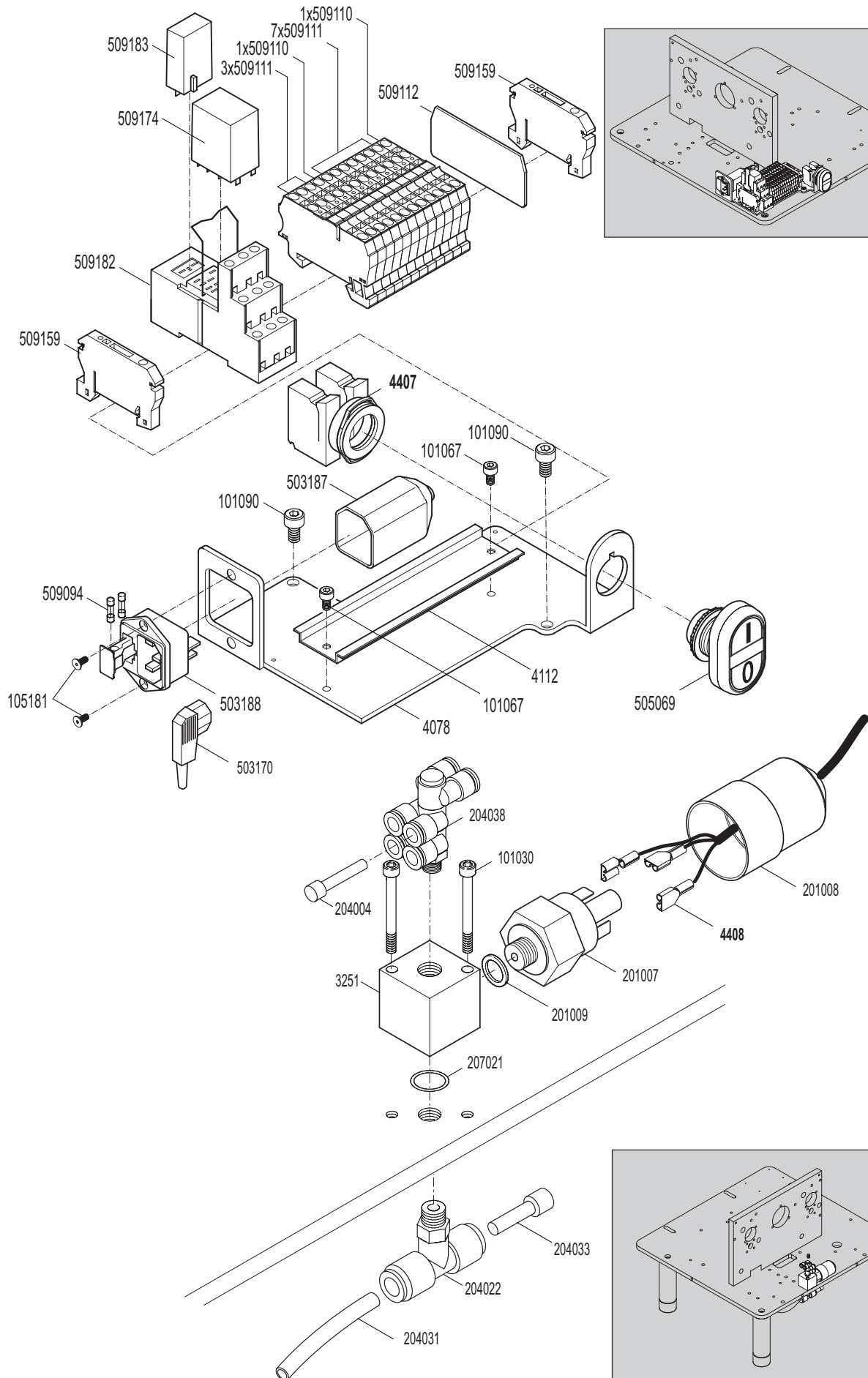
Item No.	Designation	Including			Pcs
3393	Grip head complete	1x101059/1x101062			2
4536	Bearing flange complete	1x303029			4
4537	Coupling claw complete	1x101066			2
4538	Clutch gear complete	2x303003/2x107135			2
4539	Clutch cylinder	1x204024			2
4540	Spindle shaft complete	2x4536/1x4537/1x1329/1x4025/1x4538/2x107120/1x4018			2
1329	Spring for spindle shaft clutch				2
3063	Collet chuck ø 4mm				2
3064	Collet chuck ø 3.5mm				2
4018	Spindle shaft				2
4025	Coupling cone				2
4026	Rocker				2
4027	Coupling weights				2
101030	Screw				8
101059	Thread plug				2
101062	Thread plug				2
101066	Thread plug				2
101079	Screw				8
101305	Fitting screw				6
107046	Washer				2
107048	Washer				8
107135	Bore snap ring				4
107120	Shaft snap ring				4
204024	Threaded elbow joints				2
204037	Plug connection				1
303003	Ball bearings				4
303029	Ball bearings				4
Item No.	Spindle Designation:	ømm	S1	S2	
1335	Square spindle	3.5	2.4	2.0	2
1374	Round spindle	3.5	2.5	2.1	2
1377	Hexagon spindle	3.5	2.9	2.4	2
1378	Hexagon spindle	4.0	3.5	3.0	2
1381	Square spindle	4.0	3.0	2.5	2





8. Housing and covers

Item No.	Designation	Including	Pcs	
4502	Front gear plate complete	2x302015/8x302020/2x302024	1	
4503	Rear gear plate complete	2x302015/2x302017/4x302020/2x302024	1	
4541	Cable plate complete		1	
3202	Guard plate		1	
4001	Base plate		1	
4004	Machine base		4	
4005	Gear spacer		2	
4113	Machine hood		1	
101073	Screw		4	
101079	Screw		2	
101081	Screw		2	
101090	Screw		2	
101091	Screw		1	
101170	Screw		6	
101171	Screw		4	
302015	Slide bearing		4	
302017	Slide bearing		2	
302020	Slide bearing		12	
302024	Slide bearing		2	
101166	Head shoulder screws		4	
401081	Rubber suction cap		4	
508063	Cable clamp		2	



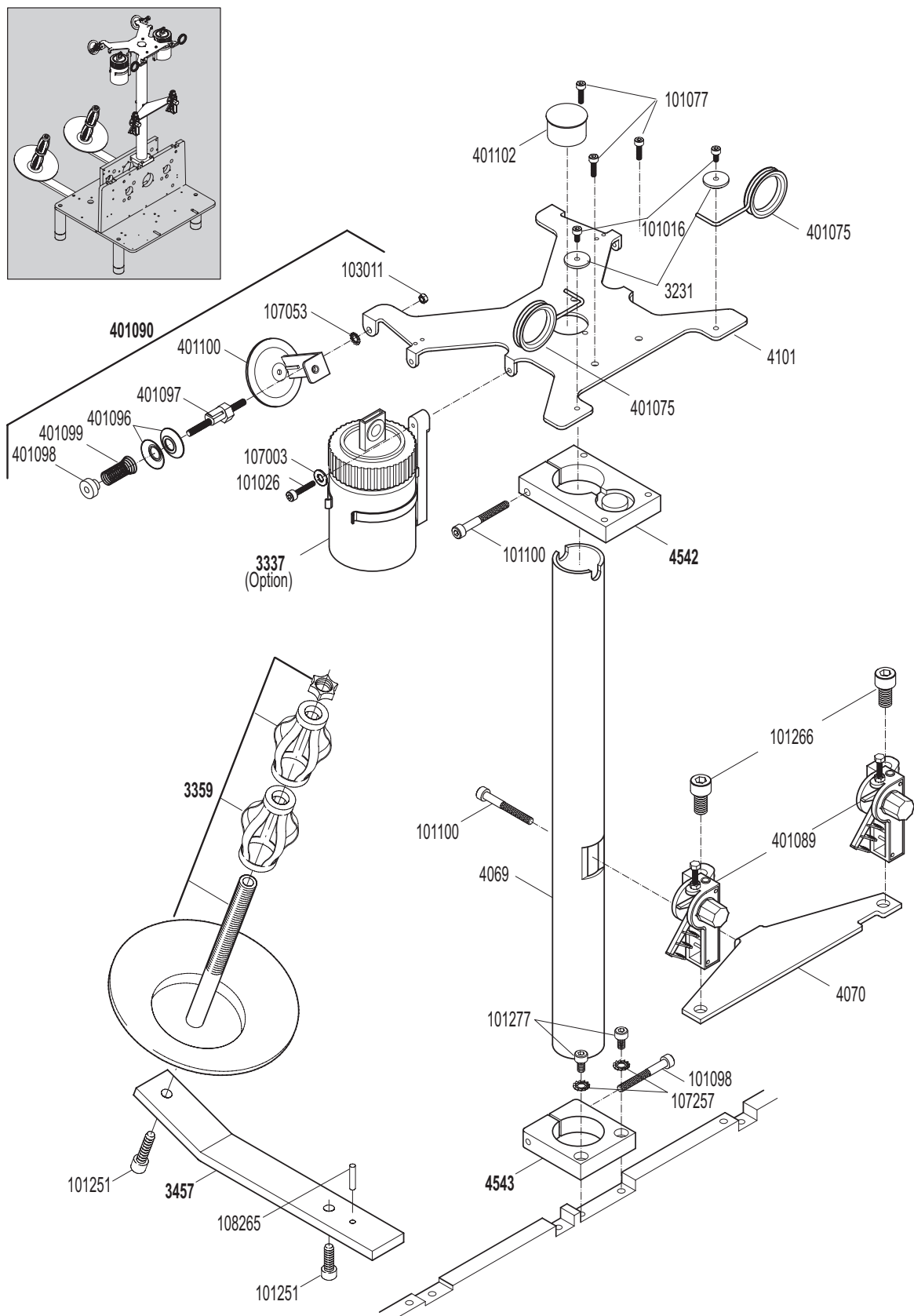


9. Control system

Item No.	Designation	Including	Pcs	
4407	Contact elements complete		1	
4078	Bracket for electricals		1	
4112	Clamping rail		1	
101067	Screw		2	
101090	Screw		2	
105181	Screw		2	
503170	Right angle plug		1	
503187	Plug cover		1	
503188	Plug combi-element		1	
505069	On-Off switch		1	
509094	Fuses		2	
509110	Series terminals		2	
509111	Series terminals		10	
509112	End plate		1	
509159	End bracket		2	
509174	Relay 230V		1	
509182	Relay base		1	
509183	RC-element 230V		1	

10. Pneumatic system and electrical connections

Item No.	Designation	Including	Pcs	
4408	Pressure switch cable		1	
3251	Support for pressure switch		1	
101030	Screw		2	
201007	Pressure switch 230V		1	
201008	Protective cap		1	
201009	Polyamide seal		1	
204004	Stopper \varnothing 4 mm		1	
204022	T-plug connection		1	
204031	Nylon hose \varnothing 8 mm	Specify length		
204033	Stopper \varnothing 8 mm		1	
204038	6-fold plug connection		1	
207021	O-ring		1	





11. Bobbin holders and thread tree unit

Item No.	Designation	Including	Pcs	
3337	Oiling unit (optional) complete	1x101026/1x107003	2	
3359	Bobbin holder complete		2	
3457	Support for bobbin holder complete	1x108265	2	
4542	Flange for thread guide plate	1x101100	1	
4543	Clamping flange complete	1x101098	1	
401090	Inlet brake complete	2x401096/1x401097/1x401098/1x401099/1x401100/1x107053 1x103011	2	
3231	Clamp		2	
4069	Thread tree tubing		1	
4070	Compensator support		1	
4101	Thread guide plate		1	
101016	Screw		2	
101026	Screw		2	
101077	Screw		3	
101098	Screw		1	
101100	Screw		2	
101251	Screw		4	
101266	Screw		2	
101277	Screw		2	
103011	Nut		2	
107003	Washer		2	
107053	Serrated lock screw		2	
107257	Serrated lock screw		2	
108265	Pin		2	
401075	Thread eyelet		2	
401089	Compensator		2	
401096	Ceramic disk		4	
401097	Ceramic part with nose		2	
401098	Knurled nut		2	
401099	Pressure spring		2	
401100	Support		2	
401102	Cover		1	

