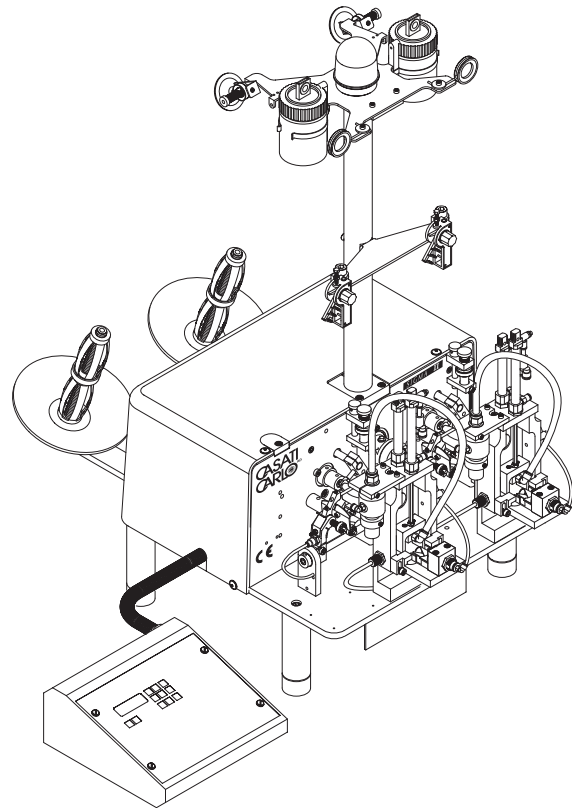




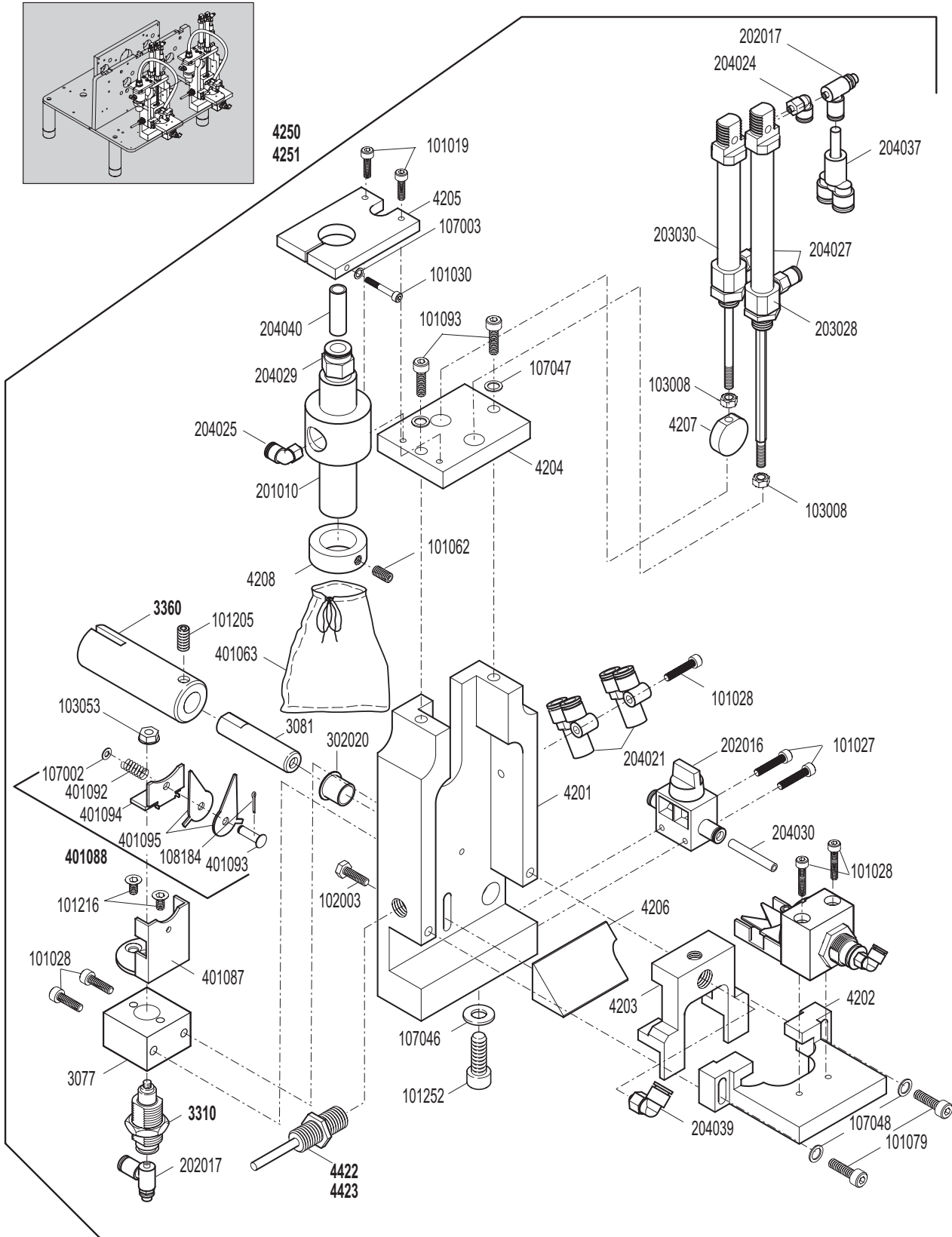
Contents

- 1. Scissor assembly 2-3
- 2. Thread guide and eccentric drive 2-5
- 3. Tucker plate assembly 2-7
- 4. Bobbin table with setting elements 2-9
- 5. Secondary shaft with ejection elements 2-11
- 6. Main drive 2-13
- 7. Spindle shaft..... 2-15
- 8. Housing and covers 2-17
- 9. Control system 2-19
- 10. Pneumatic system and electrical connections 2-19
- 11. Bobbin holders and thread tree unit..... 2-21

SIGMA-II

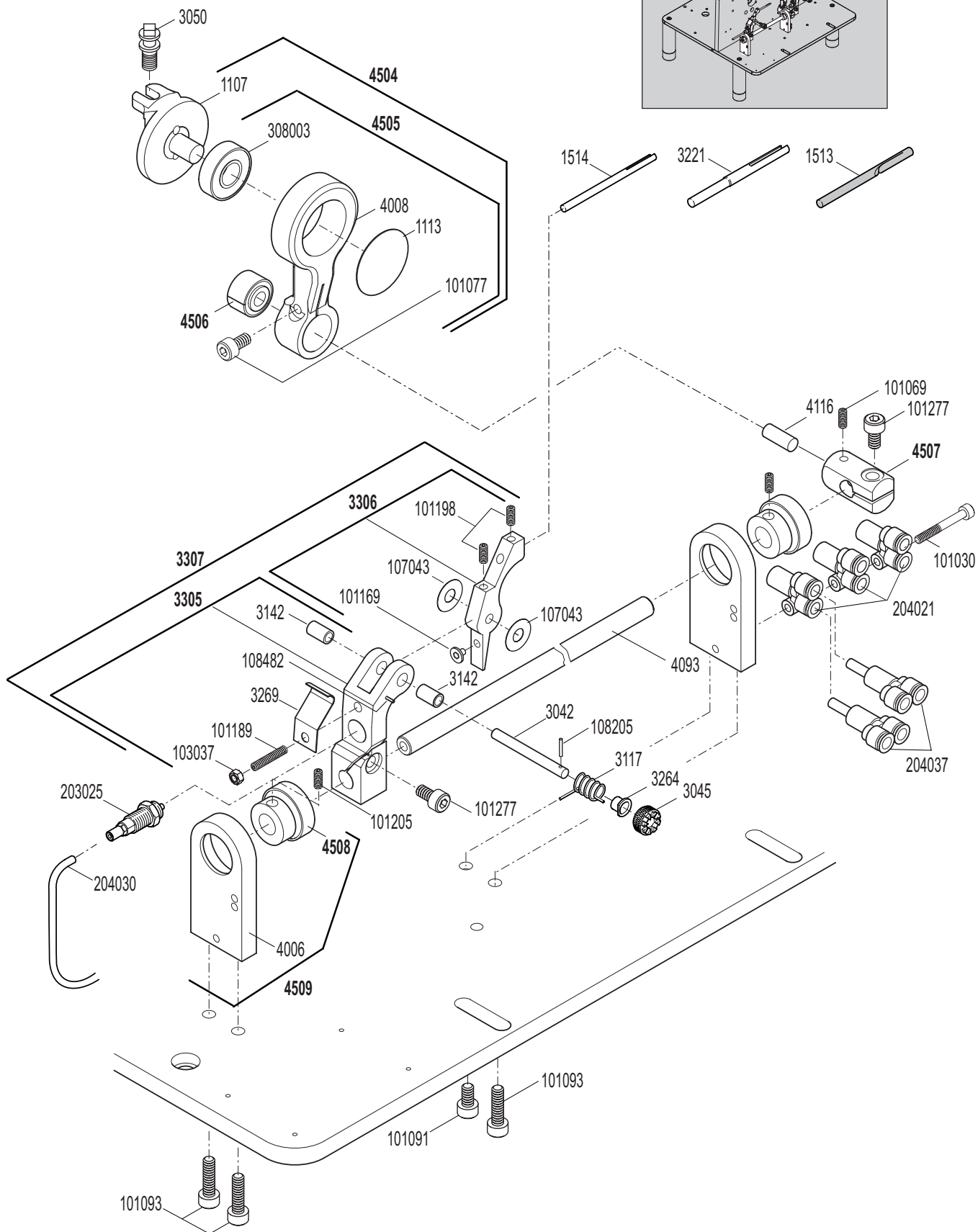
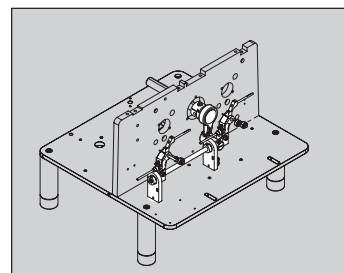


Item numbers printed in bold indicate subassemblies with multiple components..



**1. Scissor**

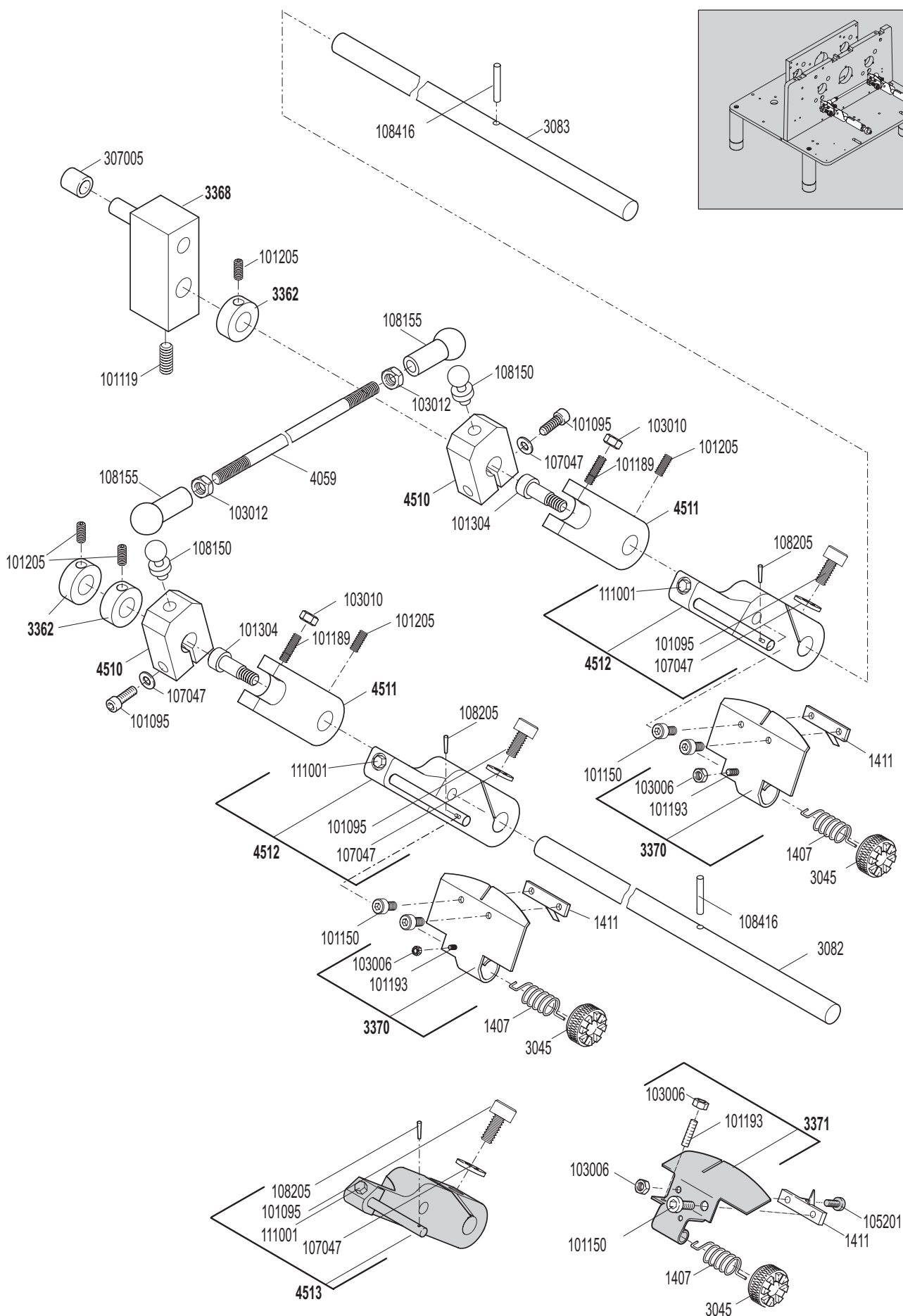
Item No.	Designation	Including	Pcs
4250	Scissor assembly complete left		1
4251	Scissor assembly complete right		1
3310	Scissor cylinder complete		4
3360	Sliding sleeve complete	1x101205	2
4422	Initiator scissors left		1
4423	Initiator scissors right		1
401088	Knife head complete	1x401092/1x401093/1x401094/2x401095/1x107002/1x108184	4
3077	Cylinder support for scissors		4
3081	Arbor		2
4201	Scissor cup special		2
4202	Scissor support		2
4203	Bobbin slider		2
4204	Cylinder plate		2
4205	Suction device holder		2
4206	Bobbin stop		2
4207	Thread clamp		2
4208	Adjusting ring		2
101019	Screw		4
101027	Screw		4
101028	Screw		10
101030	Screw		2
101062	Thread plug		2
101079	Screw		4
101093	Screw		4
101205	Thread plug		2
101216	Screw		8
101252	Screw		2
102003	Hexagonal screw		2
103008	Nut		4
103053	Lock nut		4
107046	Washer		2
107047	Washer		4
107048	Washer		4
108184	Cotter		4
201010	Suction		2
202016	Finger valve		2
202017	Butterfly valve		4
203028	Cylinder		2
203030	Cylinder		2
204021	Distributor		4
204024	Elbow union		4
204025	Elbow union		2
204027	Straight connector		4
204029	Straight connector		2
204030	PU-tubing Ø 4 mm	Specify length	
204037	Distributor		2
204039	Elbow union		2
204040	PU-tubing Ø 8 mm	Specify length	
302020	Slide bearing		2
401063	Fibre catch bag		2
401092	Spring		4
401093	Bolt		4
401094	Knife support		4
401095	Knife		8
401087	Guide angle plate		4





2 Thread guide and eccentric

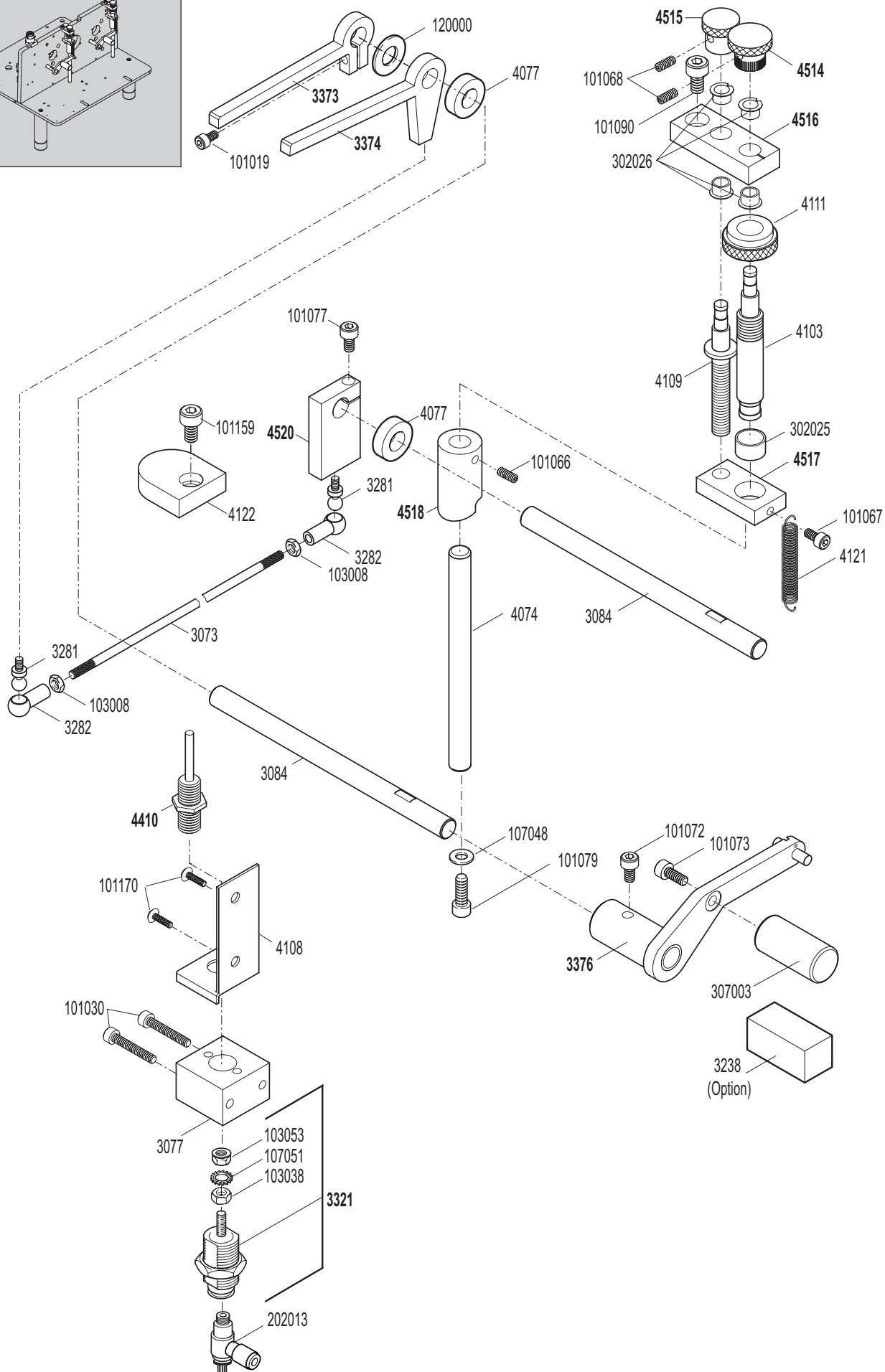
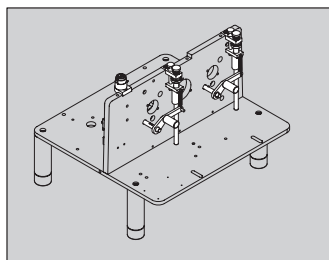
Item No.	Designation	Including	Pcs
3305	Thread guide articulated lever	2x3142/1x3269/1x101189/1x103037/1x101277/1x108482	2
3306	Thread guide complete	2x101198/1x101169	2
3307	Thread guide lever set (pair)	1x3305/1x3306/1x3042/1x108205/2x107043/1x3117/1x3264/1x3045	2
4504	Eccentric drive connecting rod set	1x4505/1x1107	1
4505	Connecting rod complete	1x4008/1x1113/1x308003/1x101077/1x4506	1
4506	Rocker bearing complete		1
4507	Pin lever complete	1x101277/1x101069	1
4508	Set collar for thread guide sup. compl.	1x101205 incl. ball bearing	2
4509	Thread guide support complete	1x4508/1x4006	2
1107	Eccenter		1
1113	Cover		1
1514	Thread guide		2
3042	Thread guide axel		2
3045	Spring setting ring		2
3050	Setting screw for eccentric drive		1
3117	Spring for axel		2
3142	Slide bearing		4
3221	Ceramic-thread guide (right side)		2
3264	Protective jack for 3117		2
3269	Plate spring		2
4006	Thread guide support		2
4008	Connecting rod		1
4093	Tube for thread guide drive		1
4116	Bolt		1
101030	Screw		1
101069	Thread plug		1
101077	Screw		1
101091	Screw		1
101093	Screw		3
101169	Screw		2
101189	Thread plug		2
101198	Thread plug		4
101205	Thread plug		2
101277	Screw		3
103037	Nut		2
107043	Spacer		4
108205	Taper pin		2
108482	Dowel pin		2
203025	Pneumatic cylinder		2
204021	Distributor		3
204030	PU-tubing Ø 4 mm	Specify length	
204037	Distributor		2
308003	Ball bearing		1
	Anti-clockwise machines only		
1513	Thread guide		2





3. Tucker plate kinematics

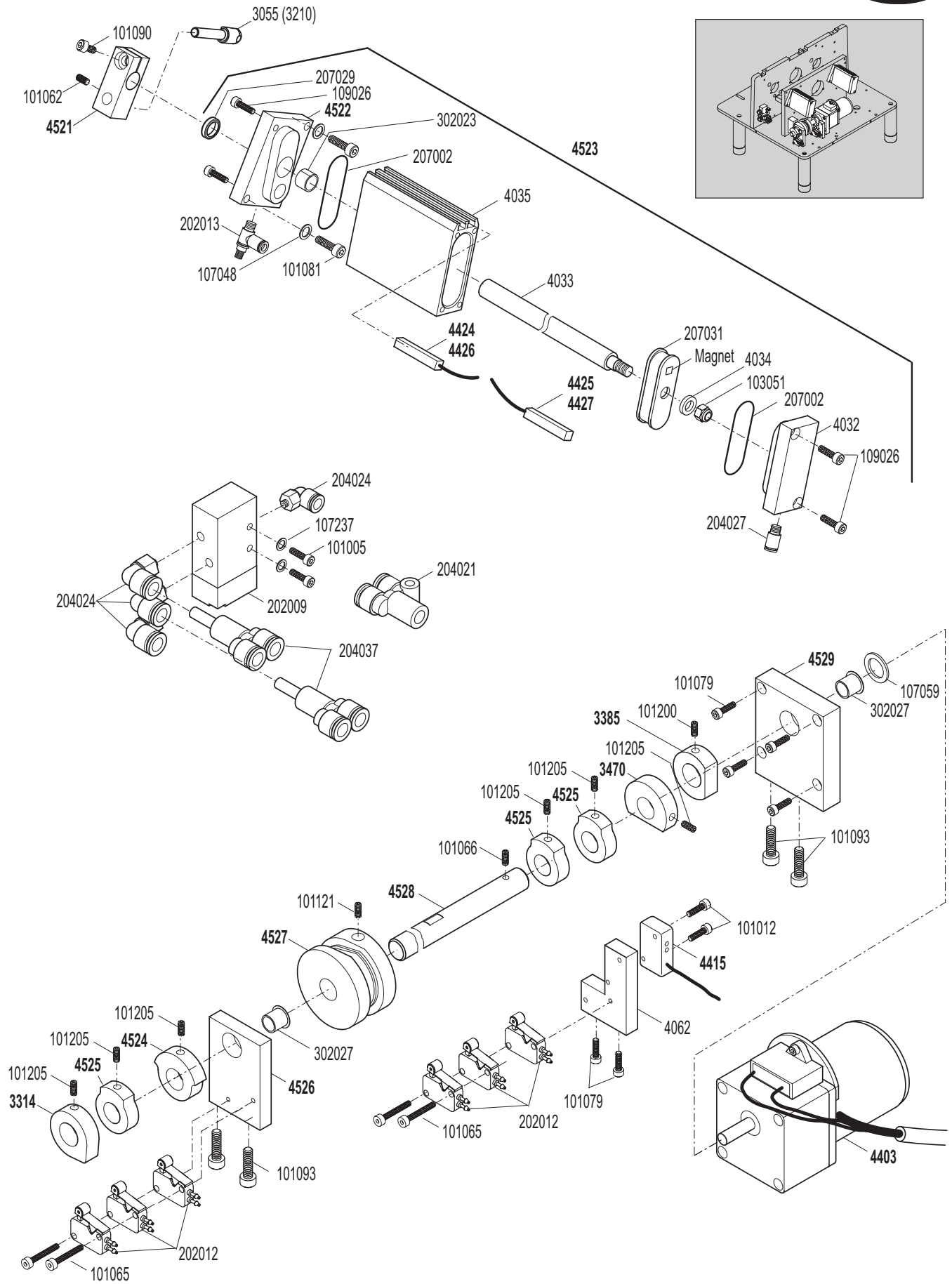
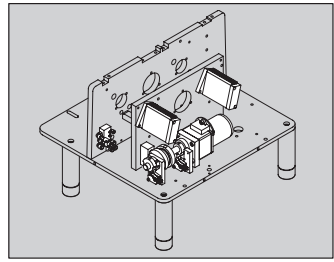
Item No.	Designation	Including	Pcs
3362	Setting rings complete	1x101205	3
3368	Roller lever complete	1x101119	1
3370	Tucker plate complete	1x101193/1x103006	2
4510	Rocker bearing lever complete	1x108150/1x101095/1x107047	2
4511	Undertucker-adjustment lever	1x103010/1x101189/1x101205	2
4512	Undertucking lever complete	1x101304/1x111001/1x101095/1x107047/1x108205	2
1407	Tucker plate spring		2
1411	Undertucker		2
3045	Spring setting ring		2
3082	Undertucker lever left		1
3083	Undertucker lever right		1
4059	Undertucker spacer		1
101095	Screw		4
101150	Screw		4
101193	Thread plug		2
101119	Thread plug		1
101189	Thread plug		2
101205	Thread plug		5
101304	Head shoulder screw		2
103006	Nut		2
103010	Nut		2
103012	Nut		2
107047	Washer		4
108150	Ball pivot		2
108155	Ball socket		2
108205	Taper pin		2
108416	Dowel pin		2
111001	Screw		2
307005	Inner ring		1
	Anti-clockwise machines only		
4513	Undertucker lever complete left	1x101304/1x111001/1x101095/1x107047/1x108205	2
3371	Tucker plate complete left	1x103006/1x101193	2
105201	Screw		2





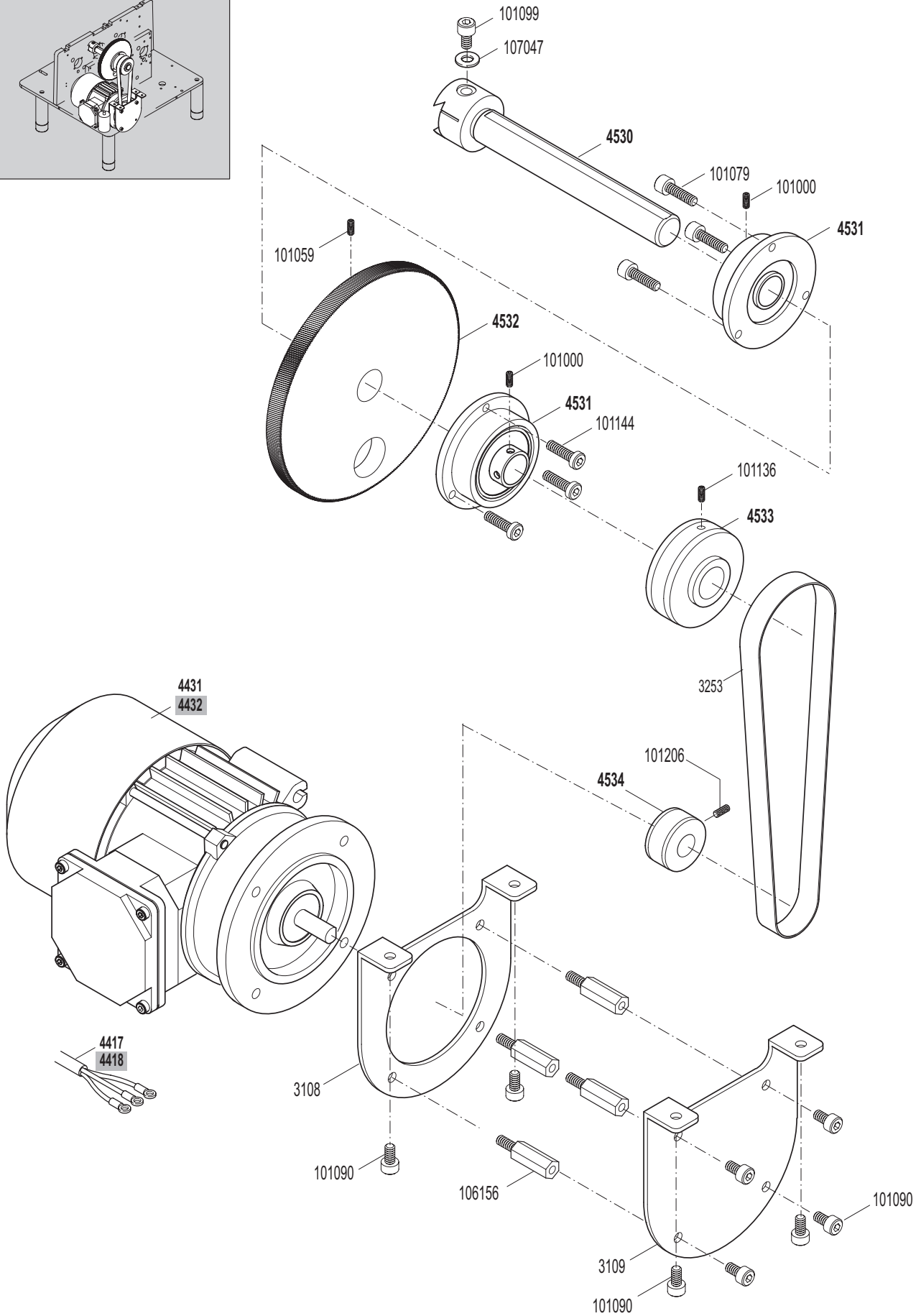
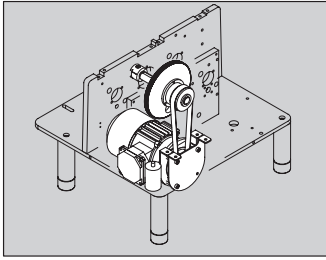
4. Bobbin table with setting elements

Item No.	Designation	Including	Pcs
3321	Key-vent cylinder complete	1x103038/1x103053/1x107051	1
3373	Vent lever for left key complete	1x101019	1
3374	Vent lever for right key complete	1x3281	1
3376	Key lever complete	1x101072	2
4410	Monitoring initiator		1
4514	Setting knob complete	1x101068	2
4515	Setting knob complete	1x101068	2
4516	Support for setting knob complete	4x302026	2
4517	Support for shafts	1x302025	2
4518	Key lever adjustment complete	1x101066	2
4520	Clamp for lifting lever	1x3281/1x101077	1
3073	Vent lever link		1
3077	Bracket		1
3084	Bobbin table lever shaft		2
3238	Slide rails (optional)		2
3281	Ball pivot		2
3282	Ball socket		2
4074	Key lever guide		2
4077	Spacer		2
4103	Key lever shaft		2
4108	Bracket for initiator		1
4109	Feed spindle		2
4111	Clamping nut		2
4121	Draw spring		2
4122	Sigma cover		1
101019	Screw		1
101030	Screw		2
101066	Thread plug		2
101067	Screw		2
101068	Thread plug		4
101072	Screw		2
101073	Screw		2
101077	Screw		1
101079	Screw		2
101090	Screw		2
101159	Screw		1
101170	Screw		2
103008	Nut		2
103038	Nut		1
103053	Nut		1
107048	Washer		2
107051	Serrated lock washer		1
120000	Washer		1
202013	Control valve		1
302025	Slide bearing		2
302026	Slide bearing		8
307003	Roller key		2



**5. Secondary shaft with ejection elements**

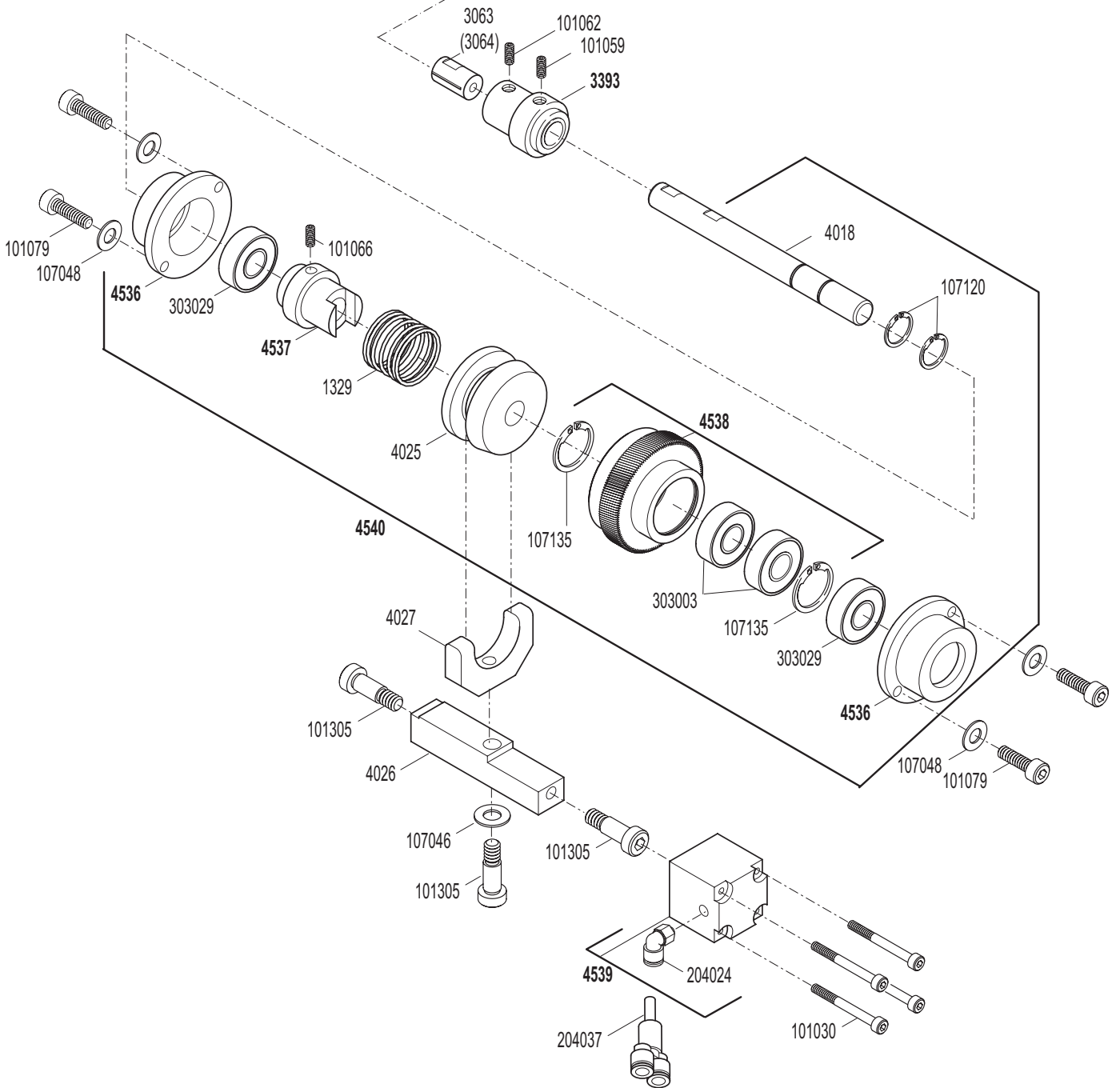
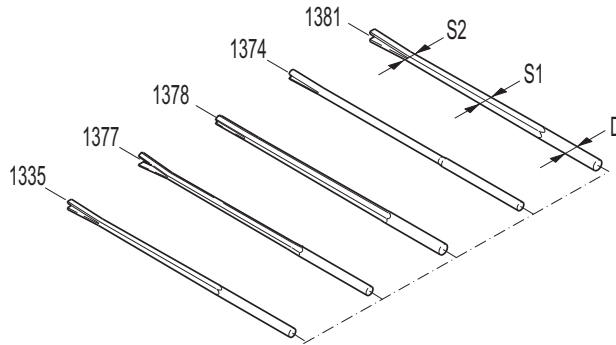
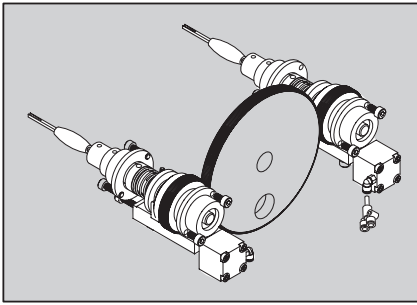
Item No.	Designation	Including	Pcs
3314	Cam of secondary shaft-scissor		1
3385	Regulation cam for Sigma sec. shaft		1
3470	Regulation cam for sec. shaft compl.	1x101205	1
4403	Secondary shaft motor complete		1
4415	Initiator secondary shaft		1
4424	Sensor L1		1
4425	Sensor L2		1
4426	Sensor R1		1
4427	Sensor R2		1
4521	Ejector head complete	1x101062/1x101090	2
4522	Cylinder head complete	1x302023/1x207029	2
4523	Ejector head complete	1x4522/2x207002/1x4035/1x4033/1x207031/1x4034/1x103051/ 1x4032/1x204027/4x109026/1x202013	2
4524	Coupling cam	1x101205	1
4525	Ejection cam	1x101205	3
4526	Secondary shaft flange complete	1x302027	1
4527	Regulation cam complete	1x101121	1
4528	Secondary shaft complete	1x101066	1
4529	Motor flange complete	1x302027	1
3055	Ejector bolts Ø 4		2
3210	Ejector bolts Ø 3.5		2
4032	Cylinder cover Ø 32		2
4033	Cylinder shaft Ø 32		2
4034	Cylinder spacer		2
4035	Cylinder tubing Ø 32		2
4062	Initiator-valve bracket		1
101005	Screw		2
101012	Screw		2
101062	Thread plug		2
101065	Screw		4
101066	Thread plug		1
101079	Screw		6
101081	Screw		4
101090	Screw		2
101093	Screw		4
101121	Thread plug		1
101200	Thread plug		1
101205	Thread plug		6
103051	Nut		2
107048	Washer		4
107059	Washer		1
107237	Washer		2
109026	Screw		8
202009	5/2 valve		1
202012	Roller lever valve		6
202013	Control valve		2
302023	Slide bearing		2
302027	Slide bearing		2
204021	Distributor		1
204024	Elbow union		4
204027	Straight connector		2
204037	Distributor		2
207002	O-ring		4
207029	Rod gasket		2





6. Main drive 230 V

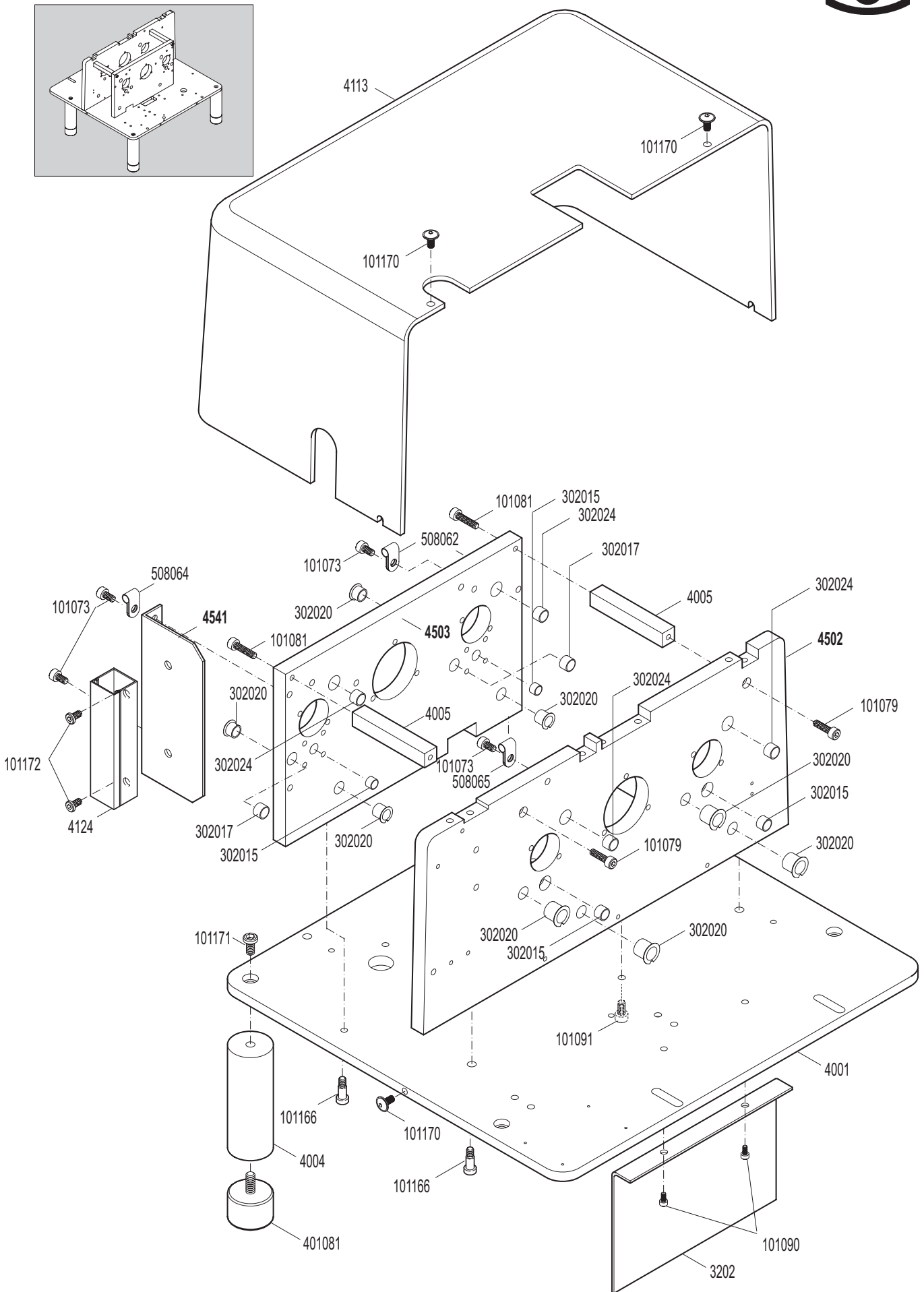
Item No.	Designation	Including	Pcs	
4417	Motor cable complete		1	
4431	E-motor for clockwise machine	1x4417	1	
4530	Main shaft complete	1x101099/1x107047	1	
4531	Main bearing flange with bearing	1x101000	2	
4532	Precision gear complete	1x101059	1	
4533	Belt pulley	1x101136	1	
4534	Motor belt pulley 50 Hz	1x101206	1	
3108	Motor base plate		1	
3109	Motor support plate		1	
3253	Belt 50 Hz		1	
101000	Thread plug		2	
101059	Thread plug		1	
101079	Screw		3	
101090	Screw		8	
101099	Screw		1	
101136	Thread plug		1	
101144	Screw		3	
101206	Thread plug		1	
106156	Spacer		4	
107047	Washer		1	
Anti-clockwise machines only				
4418	Motor cable complete		1	
4432	E-Motor for anti-clockwise machine	1x4418	1	





7. Spindle shaft

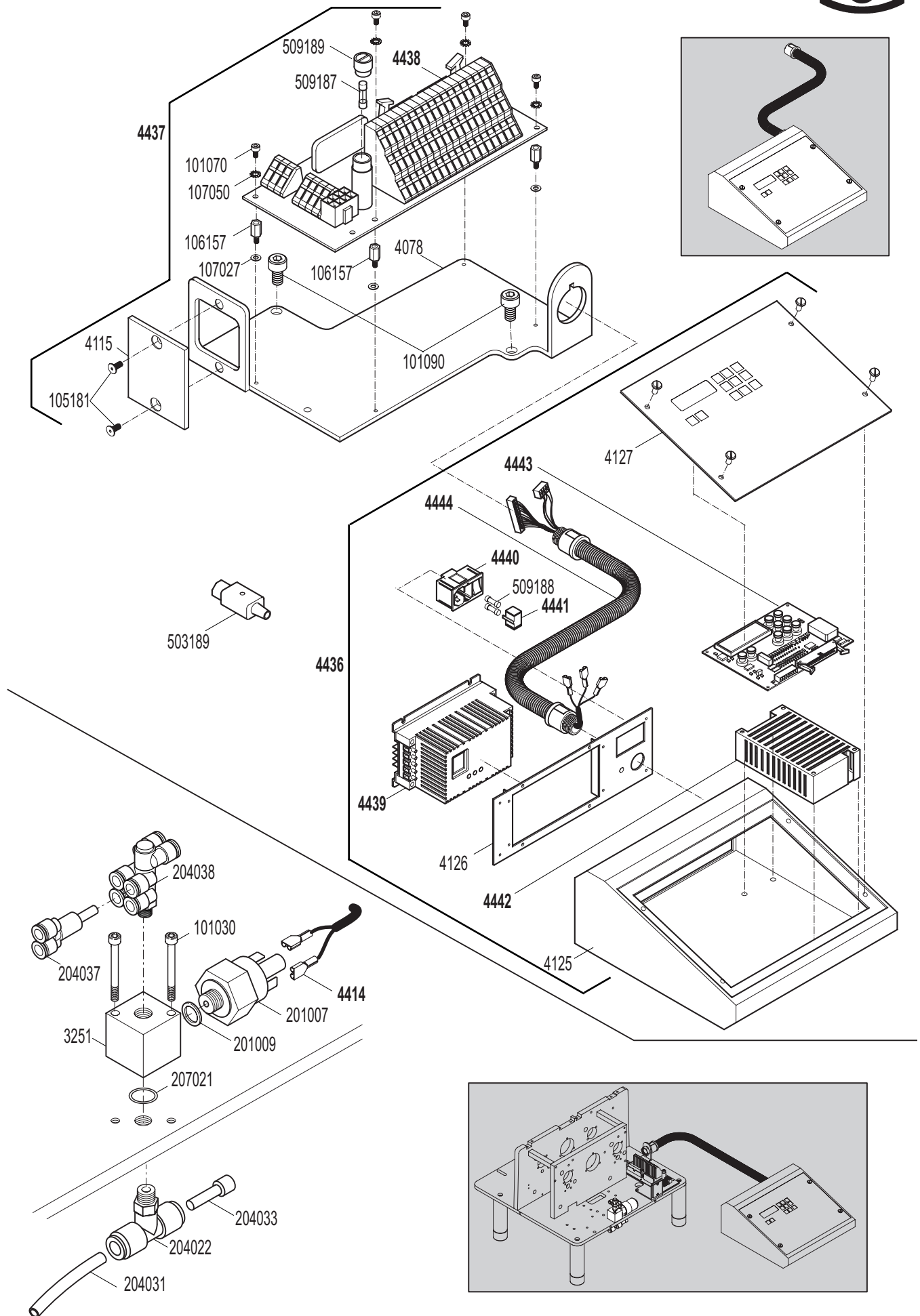
Item No.	Designation	Including			Pcs
3393	Grip head complete	1x101059/1x101062			2
4536	Bearing flange complete	1x303029			4
4537	Coupling claw complete	1x101066			2
4538	Coupling gear complete	2x303003/2x107135			2
4539	Coupling cylinder	1x204024			2
4540	Spindle shaft complete	2x4536/1x4537/1x1329/1x4025/1x4538/2x107120/1x4018			2
1329	Spring for spindle shaft coupling				2
3063	Collet Ø 4 mm				2
3064	Collet Ø 3.5 mm				2
4018	Spindle shaft				2
4025	Coupling cone				2
4026	Rocker				2
4027	Coupling weights				2
101030	Screw				8
101059	Thread plug				2
101062	Thread plug				2
101066	Thread plug				2
101079	Screw				8
101305	Head shoulder screw				6
107046	Washer				2
107048	Washer				8
107135	Bore snap ring				4
107120	Shaft snap ring				4
204024	Elbow union				2
204037	Distributor				1
303003	Ball bearing				4
303029	Ball bearing				4
Item No.	Spindle Designation:	Ø mm	S1	S2	
1335	Square spindle	3.5	2.4	2.0	2
1374	Round spindle	3.5	2.5	2.1	2
1377	Hexagonal spindle	3.5	2.9	2.4	2
1378	Hexagonal spindle	4.0	3.5	3.0	2
1381	Square spindle	4.0	3.0	2.5	2





8. Housing and covers

Item No.	Designation	Including	Pcs	
4502	Front gear plate complete	2x302015/8x302020/2x302024	1	
4503	Rear gear plate complete	2x302015/2x302017/4x302020/2x302024	1	
4541	Cable plate complete		1	
3202	Guard plate		1	
4001	Base plate		1	
4004	Machine base		4	
4005	Gear spacer		2	
4113	Machine hood		1	
4124	Cable channel		1	
101073	Screw		4	
101079	Screw		2	
101081	Screw		2	
101090	Screw		2	
101091	Screw		1	
101166	Head shoulder screw		4	
101170	Screw		6	
101171	Screw		4	
101172	Screw		2	
302015	Slide bearing		4	
302017	Slide bearing		2	
302020	Slide bearing		12	
302024	Slide bearing		4	
401081	Rubber suction cup		4	
508062	Cable clamp		1	
508064	Cable clamp		1	
508065	Cable clamp		1	



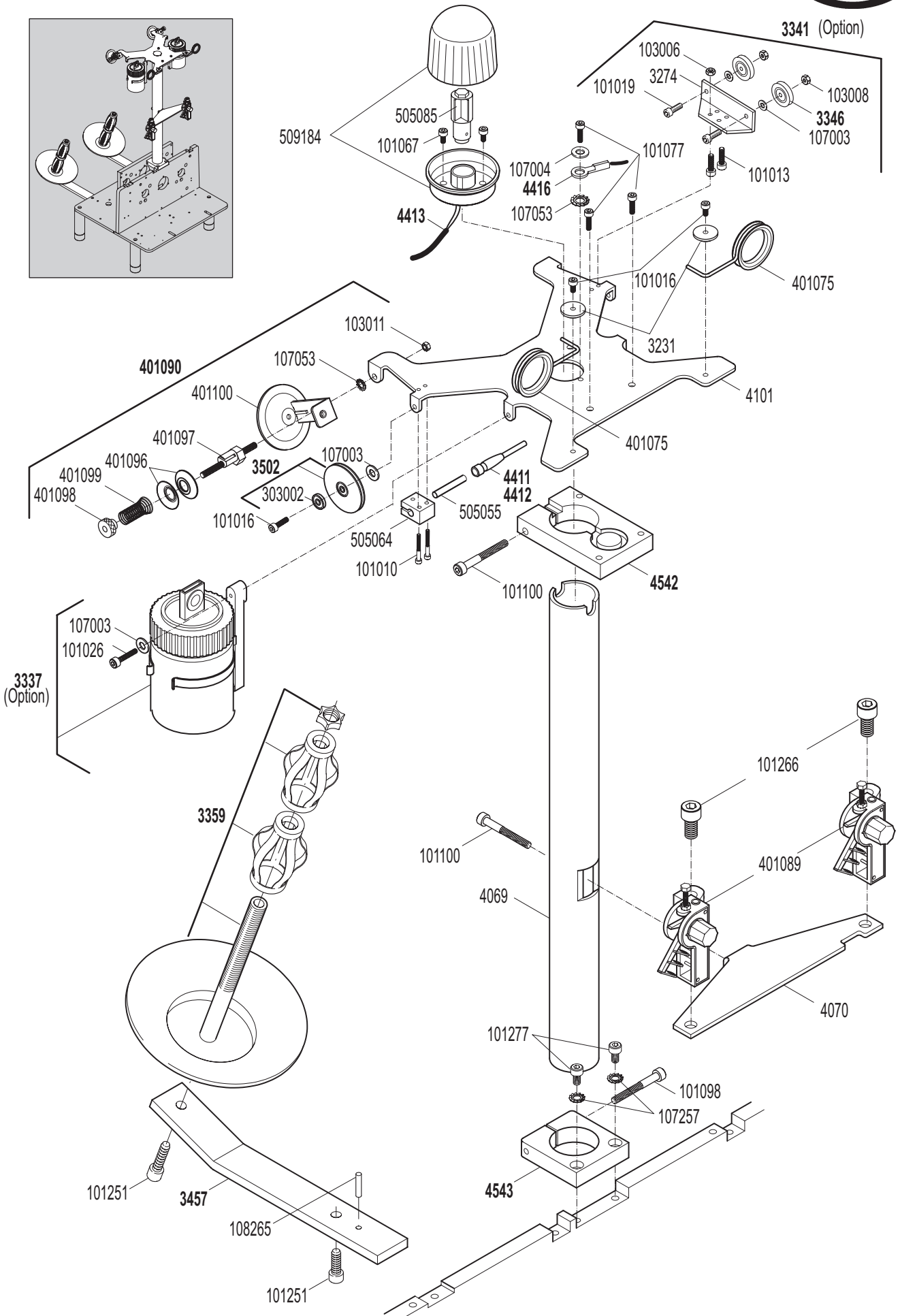
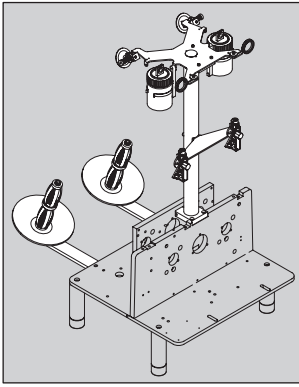


9. Control system 230 V

Item No.	Designation	Including	Pcs	
4436	Control system complete	1x4439/1x4440/1x4441/1x4442/1x4443/1x4444/1x4125/1x4126/ 1x4127/2x509188	1	
4437	Splice print complete	1x4438/1x4078/1x4115/2x105181/5x107027/5x106157/5x107050/ 5x101070	1	
4438	Splice print	1x509187/1x509189	1	
4439	Frequency converter		1	
4440	Plug with switch		1	
4441	Fuse housing		1	
4442	Power supply unit		1	
4443	Control board		1	
4444	Control cable with corrugated tube		1	
4078	Support for electrical equipment		1	
4115	Plug cover		1	
4125	Table desk		1	
4126	Flange		1	
4127	Front plate		1	
101070	Screw		5	
101090	Screw		2	
105181	Screw		2	
106157	Spacer		5	
107027	Washer		5	
107050	Serrated lock washer		5	
503189	Plug		1	
509187	Fuse		1	
509188	Fuses		2	
509189	Fuse holder		1	

10. Pneumatic and electrical connections

Item No.	Designation	Including	Pcs	
4414	Push button switch cable		1	
3251	Support for push button switch		1	
101030	Screw		2	
201007	Push button switch 30 V		1	
201009	Polyamide gasket		1	
204022	T-distributor		1	
204031	Nylon tubing Ø 8 mm	Specify length		
204033	Stopper 8 mm		1	
204037	Distributor		1	
204038	6-fold distributor		1	
207021	O-ring		1	





11. Bobbin holder and thread tree unit

Item No.	Designation	Including	Pcs
3337	Oiling unit (optional) complete	1x101026/1x107003	2
3341	Thread defl. pulley (optional) compl.	2x3346/1x3274/2x101019/2x101013/2x103006/2x107003/2x103008	2
3346	Deflector pulley complete		2
3359	Bobbin holder complete		2
3457	Support for bobbin holder complete	1x108265	2
3502	Encoder wheel complete	1x303002	2
4411	Initiator cable left		1
4412	Initiator cable right		1
4413	Lamp cable		1
4416	Earthing cable		1
4542	Flange for thread guide	1x101100	1
4543	Clamping flange complete	1x101098	1
401090	Inet brake complete	2x401096/1x401097/1x401098/1x401099/1x401100/1x107053 1x103011	2
3231	Thread guide strap		2
3274	Bracket for deflector pulley		2
4069	Thread tree tubing		1
4070	Compensator support		1
4101	Thread guide plate		1
101010	Screw		4
101013	Screw		4
101016	Screw		4
101019	Screw		4
101026	Screw		2
101067	Screw		2
101077	Screw		3
101098	Screw		1
101100	Screw		2
101251	Screw		4
101266	Screw		2
101277	Screw		2
103006	Nut		4
103008	Nut		4
103011	Nut		2
107003	Washer		1
107004	Washer		1
107053	Serrated lock washer		1
107257	Serrated lock washer		2
108265	Pin		2
303002	Ball bearing		2
401075	Thread eyelet		8
401089	Compensator		2
401096	Ceramic disk		4
401097	Ceramic part with nose		2
401098	Knurled nut		2
401099	Presssure spring		2
401100	Support		2
505055	Initiator		2
505064	Clamping flange		2
509184	Signal lamp		1
505085	LED lamp		1

